



Multi Air Conditioner **SVC MANUAL(Exploded View)**

MODEL : A5UW40GFA0 [MU5M40 UO2]

CAUTION

Before Servicing the unit, read the safety precautions in General SVC manual.
Only for authorized service personnel.

1. Specification

Outdoor unit				A5UW40GFA0 [MU5M40 UO2]	
Testing Combination				MS09AQ NB0 x 5EA	
Capacity	Cooling	Min.~Rated~Max.	kW	2.8 ~ 11.2 ~ 13.5	
		Min.~Rated~Max.	Btu/h	9,600 ~ 38,200 ~ 46,000	
	Heating	Min.~Rated~Max.	kW	3.1 ~ 12.5 ~ 15.0	
		Min.~Rated~Max.	Btu/h	10,560 ~ 42,700 ~ 51,200	
Power Input	Cooling	Min.~Rated~Max.	kW	0.78 ~ 2.73 ~ 4.15	
	Heating	Min.~Rated~Max.	kW	0.82 ~ 2.81 ~ 4.45	
EER / COP			W / W	4.10 / 4.45	
Energy Efficiency Class (Rated)	Cooling / Heating		-	A / A	
SEER / SCOP			Wh / Wh	5.80 / 3.81	
Energy Efficiency Class (Seasonal)	Cooling / Heating		-	A+ / A	
P-design	Cooling / Heating (@-10°C)		kW	11.2 / 11.8	
Power Supply			V, Ø, Hz	220-240 / 1 / 50	
Running Current	Cooling	Min.~Rated~Max.	A	3.5 ~ 12.1 ~ 18.4	
	Heating	Min.~Rated~Max.	A	3.6 ~ 12.5 ~ 19.7	
Starting Current	Cooling	Max.	A	-	
	Heating	Max.	A	-	
Wiring Connections	Power Supply Cable (included Earth)		No. x mm ² (AWG)	3C x 2.5 (18)	
	Power and Communication Cable (included Earth)		Outdoor ~ BD unit	No. x mm ² (AWG)	-
Combination	Sum of Indoor Units Capacity		kBtu/h	52	
	Number of Indoor Units		EA	5	
	Number of BD Units		EA	-	
Casing Color			-	Warm Gray	
Dimensions	W x H x D		mm	950 x 1,170 x 330	
	W x H x D		inch	37-13/32 x 46-1/16 x 13	
Net Weight			kg (lbs)	84(185.2)	
Compressor	Type	-		Twin Rotary	
	Model	Model x No.		GPT442MBA x 1	
	Motor type	-		BLDC	
	Motor Output	W x No.		4,000 (at 60Hz) x 1	
Refrigerant	Type	-		R410A	
	Precharged Amount	g (oz)		3,800 (134.0)	
	Chargeless-Pipe Length	m (ft)		37.5(123.0)	
	Additional Charging Volume	g/m (oz/ft)		20(0.22)	
Refrigerant Oil	Control	-		Electronic Expansion Valve	
	Type	-		FVC68D	
Heat Exchanger	Charged volume		cc x No.	1,300 x 1	
	#1_(Row x Column x Fins per inch) x No.	-		(2 x 32 x 14) x1	
Fan	#2_(Row x Column x Fins per inch) x No.		-		
	Type	-		Propeller	
Fan Motor	Air Flow Rate		m ³ /min x No.	45 x 2	
	Type	-		BLDC	
Sound Pressure Level	Output		W x No.	85.4 x 2	
	Cooling	Rated	dB(A)	53	
Sound Power Level	Heating		Rated	dB(A)	55
	Cooling	Rated	dB(A)	67	
Piping Connections	Liquid	Outer Dia.	mm(inch) x No.	Ø 6.35 (1/4) * 5EA	
	Gas	Outer Dia.	mm(inch) x No.	Ø 9.52 (3/8) * 5EA	
Piping Length	Total Piping		Max.	m (ft)	85 (278.9)
	Main Piping		Max.	m (ft)	-
	Total Branch Piping		Max.	m (ft)	-
	Each Branch Piping		Max.	m (ft)	25 (82.0)
Maximum Height Difference	Outdoor Unit ~ Indoor Unit		Max.	m (ft)	15 (49.2)
	Indoor Unit ~ Indoor Unit		Max.	m (ft)	7.5 (24.6)
Operation Range (Outdoor Temperature)	Cooling	Min. ~ Max.	°C DB (°F DB)	-10 (14.0) ~ 48 (118.4)	
	Heating	Min. ~ Max.	°C WB (°F WB)	-18 (-0.4) ~ 18 (64.4)	

Note:

- All data are based on the following conditions:
 - Cooling Temperature : Indoor 27°C(80.6°F) DB / 19°C(66.2°F) WB
Outdoor 35°C(95°F) DB / 24°C(75.2°F) WB
 - Heating Temperature : Indoor 20°C(68°F) DB / 15°C(59°F) WB
Outdoor 7°C(44.6°F) DB / 6°C(42.8°F) WB
 - Piping Length : Interconnected Pipe Length = 5m
 - Difference Limit of Elevation (Outdoor ~ Indoor Unit) is Zero.
- Wiring cable size must comply with the applicable local and national code.
- Due to our policy of innovation some specifications may be changed without notification.
- Sound Level Values are measured at Anechoic chamber. Therefore, these values can be increased(maximum 3dB(A)) owing to ambient conditions during opration.

2. List of Functions & Accessory

2.1 List of Functions

Category	Function	A5UW40GFA0 [MU5M40 UO2]
Reliability	Defrost / Deicing	O
	High Pressure Switch	X
	Low Pressure Switch	X
	Phase protection	O
	Restart Delay (3-minutes)	O
	Self Diagnosis	O
	soft start	O
	Test Function	O
Convenience	Auto operation(Artificial intelligence)	O
	Wiring Error Check	O
	Night Quiet Mode	O
	Peak Control	O
	Mode Lock	O
	Forced Operation	O
	Auto Restart Operation	O
CAC Network Function	Central control(LGAP)	O
	Dry contact	O
	PDI(Power Distribution Indicator)	O
	PI485	O

Note :

O : Applied, X : Not applied

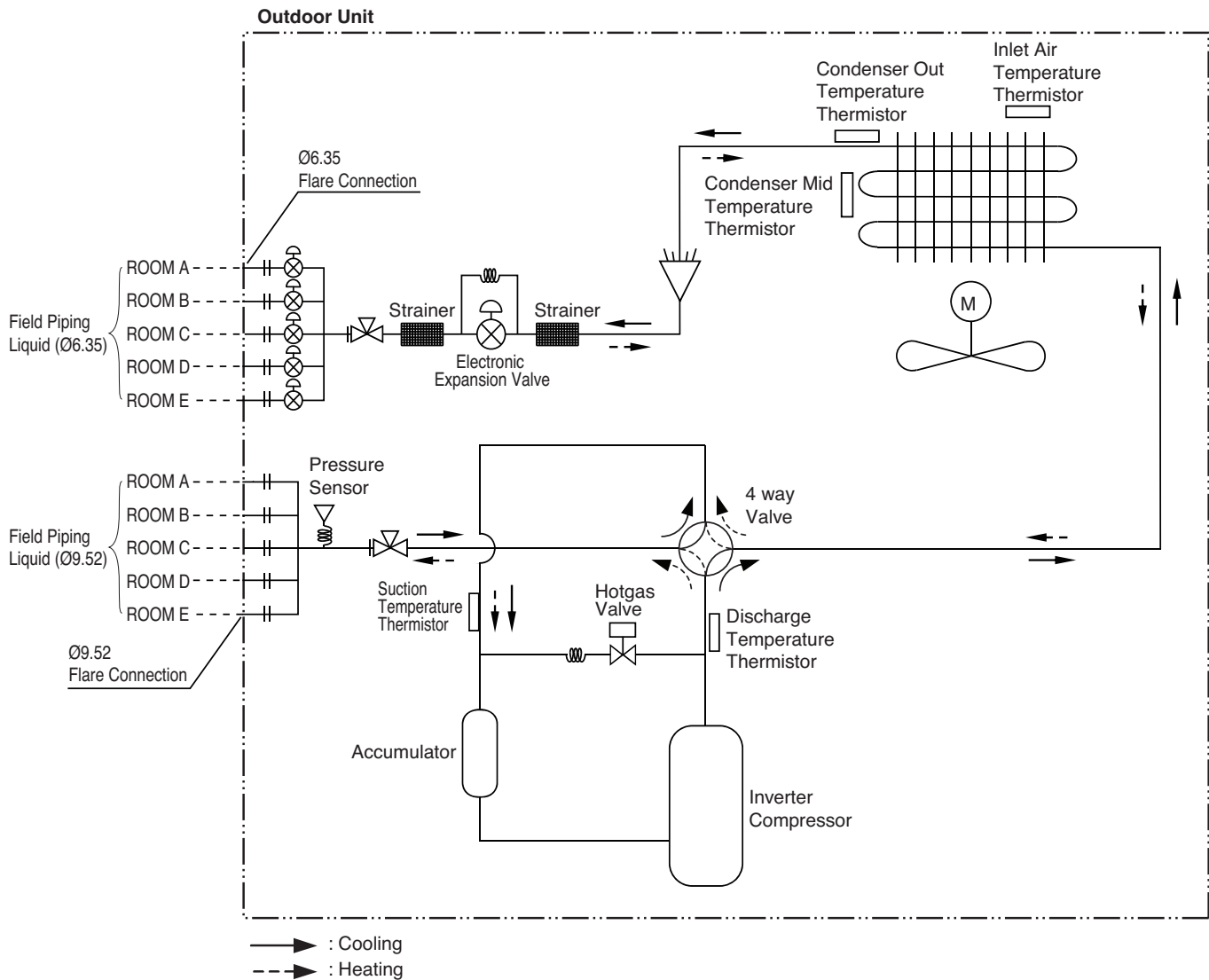
* Option : Model name & price are different according to options, and assembled in factory with main unit.

Accessory model name : Installed at field, ordered and purchased separately by the corresponding model name, supplied with separate package.

2.2 List of Accessory

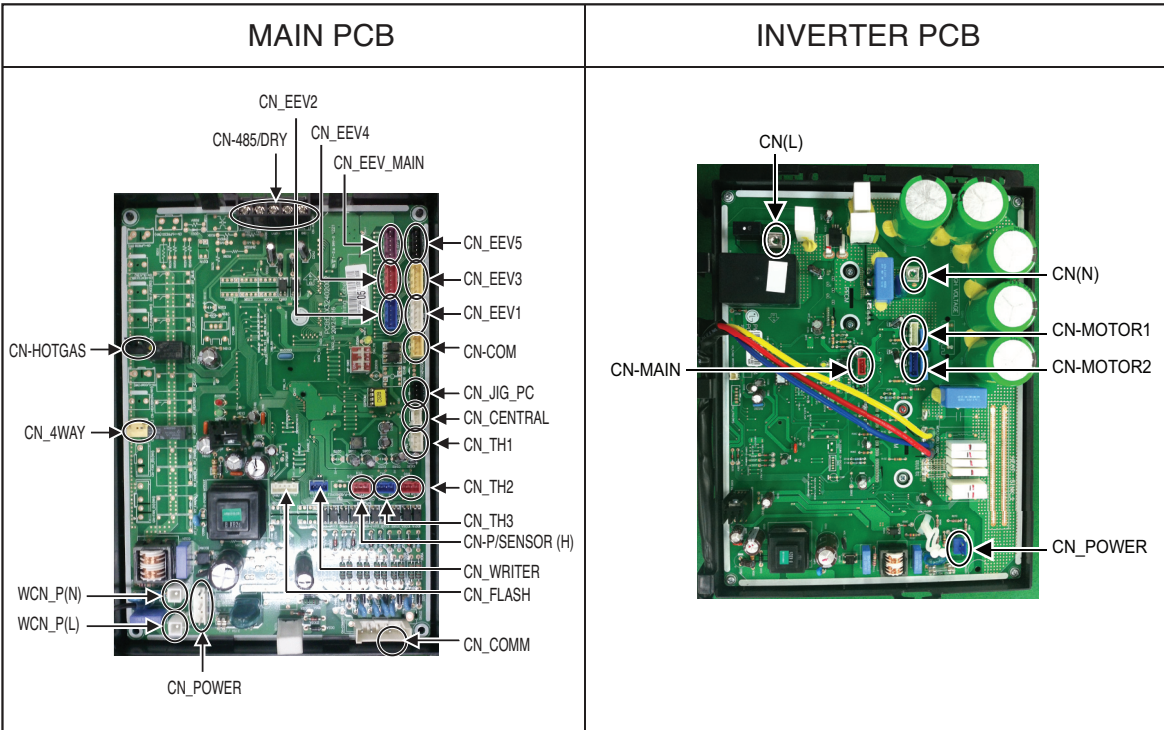
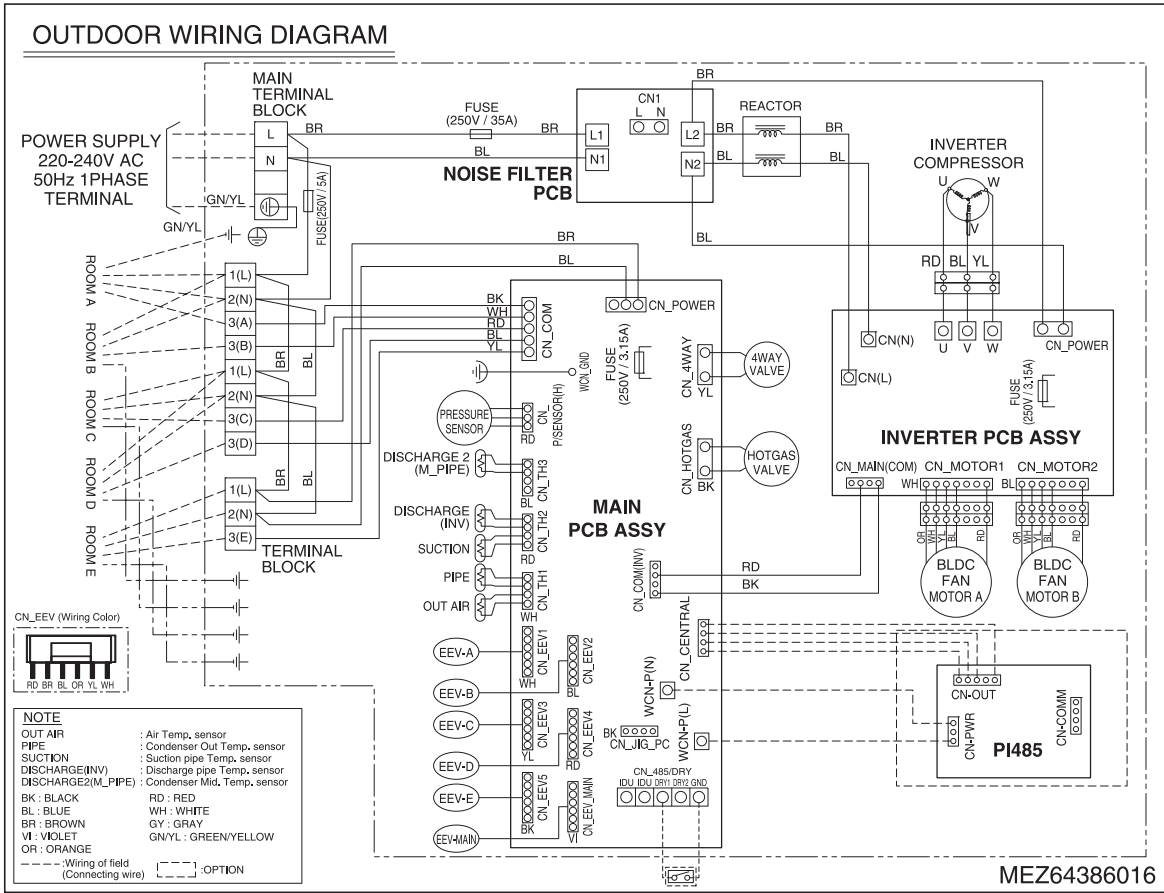
Device		A5UW40GFA0 [MU5M40 UO2]
Central Controller	Simple Controller	PQCSB101S0
	Function controller	PQCSB101S0 + PQCSB101S0
	Function Scheduler	PQCSB101S0 + PQCSB130A0
	AC Ez	PQCSZ250S0
	AC Smart II	PQCSW320A1E
	Option Kit (SD card type)	PQCSE341A0 / PQCSE342A0
	ACP(Advanced Control Platform)	PQCPA11A0E / PQCPB11A0E
	AC Manager	PQCSS520A0E
	PI485	PMNFP14A0/PMNFP14A1
	DO(Digital Output) Kit	PQNFP00T0
BNU (Building Network Unit)	LONWORKS Gateway	PQNFB16A1
	BACnet Gateway	PQNFB17B0
Installation	Y branch	Accessory
	Header branch	Accessory
	Air Guide	X
	BD Unit	X
ODU Dry Contact		O
Low Ambient Kit		O (Logical operation)

3. Piping Diagrams



PCB Connector	Description
CN-TH1	Air / Cond Out
CN-TH2	Suction / Discharge
CN-TH3	Cond Mid
CN-P/SENSOR(H)	Pressure Sensor
CN-EEV-MAIN	Electronic Expansion Valve
CN-HOTGAS	Hotgas Valve

4. Wiring Diagrams





P/NO : MFL67452405

March, 2014