



Internal Use Only

<http://biz.lgservice.com>

Multi V Air Conditioner

SVC MANUAL(Exploded View)

**MODEL : ARNU07GTU*2
ARNU09GTU*2
ARNU12GTU*2
ARNU18GTT*2
ARNU24GTT*2**

CAUTION

Before Servicing the unit, read the safety precautions in General SVC manual.
Only for authorized service personnel.

1. Specification

| Type | | 1Way ceiling cassette (art type) | | | |
|---|---------------------------|----------------------------------|---|---|---|
| Model | | Unit | ARNU07GTUR2 | ARUN07GTUC2 | ARUN07GTUA2 |
| Cooling capacity | | kW | 2.2 | 2.2 | 2.2 |
| | | kcal/h | 1,900 | 1,900 | 1,900 |
| | | Btu/h | 7,500 | 7,500 | 7,500 |
| Heating capacity | | kW | 2.5 | 2.5 | 2.5 |
| | | kcal/h | 2,200 | 2,200 | 2,200 |
| | | Btu/h | 8,500 | 8,500 | 8,500 |
| Casing | | | Galvanized steel plate | Galvanized steel plate | Galvanized steel plate |
| Dimensions(WxDxH) | Body | mm | 860x450x132 | 860x450x132 | 860x450x132 |
| | | inch | 33.8x17.7x5.2 | 33.8x17.7x5.2 | 33.8x17.7x5.2 |
| | Front panel | mm | 1,100x500x34 | 1,100x500x34 | 1,100x500x34 |
| | | inch | 43.3x19.7x1.3 | 43.3x19.7x1.3 | 43.3x19.7x1.3 |
| Coil | Rows x Columns x FPI | | 2x12x18 | 2x12x18 | 2x12x18 |
| | Face area | m ² | 0.16 | 0.16 | 0.16 |
| Fan | Type | | Cross flow fan | Cross flow fan | Cross flow fan |
| | Motor output x number | W | 30 | 30 | 30 |
| | Running current | A | 0.18 | 0.18 | 0.18 |
| | Air flow rate(H/M/L) | CMM | 8.2/7.3/6.4 | 8.2/7.3/6.4 | 8.2/7.3/6.4 |
| | | cfm | 289.5/257.7/225.9 | 289.5/257.7/225.9 | 289.5/257.7/225.9 |
| | Drive | | Direct | Direct | Direct |
| Motor type | | BLDC | BLDC | BLDC | |
| Temperature control | | | Microprocessor, Thermostat for cooling and heating | Microprocessor, Thermostat for cooling and heating | Microprocessor, Thermostat for cooling and heating |
| Sound absorbing thermal insulation material | | | Foamed polystyrene | Foamed polystyrene | Foamed polystyrene |
| Safety device | | | Fuse | Fuse | Fuse |
| Pipe connections | Liquid side | mm(inch) | Ø6.35(1/4) | Ø6.35(1/4) | Ø6.35(1/4) |
| | Gas side | mm(inch) | Ø12.7(1/2) | Ø12.7(1/2) | Ø12.7(1/2) |
| | Drain pipe(internal dia.) | mm | 25 | 25 | 25 |
| Net weight | Body | kg(lbs) | 14.6(32.2) | 14(30.86) | 14(30.86) |
| Noise level(sound press, 1.5m, H/M/L) | | dB(A) | 32/29/26 | 32/29/26 | 32/29/26 |
| Power supply | | Ø, V, Hz | 1, 220 ~ 240, 50 1, 220, 60 | 1, 220 ~ 240, 50 1, 220, 60 | 1, 220 ~ 240, 50 1, 220, 60 |
| Refrigerant control | | | EEV | EEV | EEV |
| Power cable | | | CV1.5 x 3C | CV1.5 x 3C | CV1.5 x 3C |
| Transmission cable | | | CVV-SB 1.25 x 2C | CVV-SB 1.25 x 2C | CVV-SB 1.25 x 2C |
| Panel color | | | White | White | White |
| Panel name(acc'y) | Panel type | | PT-UUD | - | PT-UUD |
| | Grille type | | - | PT-UUC | PT-UUC |

Notes:-

- Capacities are based on the following conditions:
 - Cooling
 - Indoor temp. 27°C[80.6°F]DB/ 19°C[66.2°F]WB
 - Outdoor temp. 35°C[95°F]DB/ 24°C[75.2°F]WB
 - Interconnecting piping length 7.5m
 - Level difference of zero
 - Heating
 - Indoor temp. 20°C[68°F]DB/ 15°C[59°F]WB
 - Outdoor temp. 7°C[44.6°F]DB/ 6°C[42.8°F]WB
 - Interconnecting piping length 7.5m
 - Level difference of zero
- Capacities are net capacities
- Due to our policy of innovation some specifications may be changed without prior notification
- To be added for more available models
- EEV : Electronic expansion valve

Conversion formula

kcal/h= kW x 860
 Btu/h = kW x 3412
 cfm = m³/min x 35.3
 l/s = CMM x 1000/60

| Type | | | 1Way ceiling cassette (art type) | | | |
|---|---------------------------|----------------|---|---|---|-------------------|
| Model | | Unit | ARNU09GTUR2 | ARUN09GTUC2 | ARUN09GTUA2 | |
| Cooling capacity | | kW | 2.8 | 2.8 | 2.8 | |
| | | kcal/h | 2,400 | 2,400 | 2,400 | |
| | | Btu/h | 9,600 | 9,600 | 9,600 | |
| Heating capacity | | kW | 3.2 | 3.2 | 3.2 | |
| | | kcal/h | 2,800 | 2,800 | 2,800 | |
| | | Btu/h | 10,900 | 10,900 | 10,900 | |
| Casing | | | Galvanized steel plate | Galvanized steel plate | Galvanized steel plate | |
| Dimensions(WxDxH) | Body | mm | 860x450x132 | 860x450x132 | 860x450x132 | |
| | | inch | 33.8x17.7x5.2 | 33.8x17.7x5.2 | 33.8x17.7x5.2 | |
| | Front panel | mm | 1,100x500x34 | 1,100x500x34 | 1,100x500x34 | |
| | | inch | 43.3x19.7x1.3 | 43.3x19.7x1.3 | 43.3x19.7x1.3 | |
| Coil | Rows x Columns x FPI | | 2x12x18 | 2x12x18 | 2x12x18 | |
| | Face area | m ² | 0.16 | 0.16 | 0.16 | |
| Fan | Type | | Cross flow fan | Cross flow fan | Cross flow fan | |
| | Motor output x number | W | 30 | 30 | 30 | |
| | Running current | A | 0.18 | 0.18 | 0.18 | |
| | Air flow rate(H/M/L) | CMM | | 9.2/8.6/8.2 | 9.2/8.6/8.2 | 9.2/8.6/8.2 |
| | | cfm | | 324.7/303.6/289.5 | 324.7/303.6/289.5 | 324.7/303.6/289.5 |
| | Drive | | Direct | Direct | Direct | |
| Motor type | | BLDC | BLDC | BLDC | | |
| Temperature control | | | Microprocessor, Thermostat for cooling and heating | Microprocessor, Thermostat for cooling and heating | Microprocessor, Thermostat for cooling and heating | |
| Sound absorbing thermal insulation material | | | Foamed polystyrene | Foamed polystyrene | Foamed polystyrene | |
| Safety device | | | Fuse | Fuse | Fuse | |
| Pipe connections | Liquid side | mm(inch) | Ø6.35(1/4) | Ø6.35(1/4) | Ø6.35(1/4) | |
| | Gas side | mm(inch) | Ø12.7(1/2) | Ø12.7(1/2) | Ø12.7(1/2) | |
| | Drain pipe(internal dia.) | mm | 25 | 25 | 25 | |
| Net weight | Body | kg(lbs) | 14.6(32.2) | 14(30.86) | 14(30.86) | |
| Noise level(sound press, 1.5m, H/M/L) | | dB(A) | 35/34/32 | 35/34/32 | 35/34/32 | |
| Power supply | | Ø, V, Hz | 1, 220 ~ 240, 50 1, 220, 60 | 1, 220 ~ 240, 50 1, 220, 60 | 1, 220 ~ 240, 50 1, 220, 60 | |
| Refrigerant control | | | EEV | EEV | EEV | |
| Power cable | | | CV1.5 x 3C | CV1.5 x 3C | CV1.5 x 3C | |
| Transmission cable | | | CVV-SB 1.25 x 2C | CVV-SB 1.25 x 2C | CVV-SB 1.25 x 2C | |
| Panel color | | | White | White | White | |
| Panel name(acc'y) | Panel type | | PT-UUD | - | PT-UUD | |
| | Grille type | | - | PT-UUC | PT-UUC | |

Notes:-

- Capacities are based on the following conditions:
 - Cooling
 - Indoor temp. 27°C[80.6°F]DB/ 19°C[66.2°F]WB
 - Outdoor temp. 35°C[95°F]DB/ 24°C[75.2°F]WB
 - Interconnecting piping length 7.5m
 - Level difference of zero
 - Heating
 - Indoor temp. 20°C[68°F]DB/ 15°C[59°F]WB
 - Outdoor temp. 7°C[44.6°F]DB/ 6°C[42.8°F]WB
 - Interconnecting piping length 7.5m
 - Level difference of zero
- Capacities are net capacities
- Due to our policy of innovation some specifications may be changed without prior notification
- To be added for more available models
- EEV : Electronic expansion valve

Conversion formula

kcal/h= kW x 860
 Btu/h = kW x 3412
 cfm = m³/min x 35.3
 l/s = CMM x 1000/60

| Type | | | 1Way ceiling cassette (art type) | | |
|---|---------------------------|----------|---|---|---|
| Model | | Unit | ARNU12GTUR2 | ARUN12GTUC2 | ARUN12GTUA2 |
| Cooling capacity | | kW | 3.6 | 3.6 | 3.6 |
| | | kcal/h | 3,100 | 3,100 | 3,100 |
| | | Btu/h | 12,300 | 12,300 | 12,300 |
| Heating capacity | | kW | 4 | 4 | 4 |
| | | kcal/h | 3,400 | 3,400 | 3,400 |
| | | Btu/h | 13,600 | 13,600 | 13,600 |
| Casing | | | Galvanized steel plate | Galvanized steel plate | Galvanized steel plate |
| Dimensions(WxDxH) | Body | mm | 860x450x132 | 860x450x132 | 860x450x132 |
| | | inch | 33.8x17.7x5.2 | 33.8x17.7x5.2 | 33.8x17.7x5.2 |
| | Front panel | mm | 1,100x500x34 | 1,100x500x34 | 1,100x500x34 |
| | | inch | 43.3x19.7x1.3 | 43.3x19.7x1.3 | 43.3x19.7x1.3 |
| Coil | Rows x Columns x FPI | | 2x12x18 | 2x12x18 | 2x12x18 |
| | Face area | | m ² | 0.16 | 0.16 |
| | Type | | Cross flow fan | Cross flow fan | Cross flow fan |
| Fan | Motor output x number | | W | 30 | 30 |
| | Running current | | A | 0.18 | 0.18 |
| | Air flow rate(H/M/L) | CMM | 10/9.2/8.2 | 10/9.2/8.2 | 10/9.2/8.2 |
| | | cfm | 353/324.8/289.5 | 353/324.8/289.5 | 353/324.8/289.5 |
| | Drive | | Direct | Direct | Direct |
| | Motor type | | BLDC | BLDC | BLDC |
| Temperature control | | | Microprocessor, Thermostat for cooling and heating | Microprocessor, Thermostat for cooling and heating | Microprocessor, Thermostat for cooling and heating |
| Sound absorbing thermal insulation material | | | Foamed polystrene | Foamed polystrene | Foamed polystrene |
| Safety device | | | Fuse | Fuse | Fuse |
| Pipe connections | Liquid side | mm(inch) | Ø6.35(1/4) | Ø6.35(1/4) | Ø6.35(1/4) |
| | Gas side | mm(inch) | Ø12.7(1/2) | Ø12.7(1/2) | Ø12.7(1/2) |
| | Drain pipe(internal dia.) | mm | 25 | 25 | 25 |
| Net weight | Body | kg(lbs) | 14.6(32.2) | 14(30.86) | 14(30.86) |
| Noise level(sound press, 1.5m, H/M/L) | | dB(A) | 38/35/32 | 38/35/32 | 38/35/32 |
| Power supply | | Ø, V, Hz | 1, 220 ~ 240, 50 1, 220, 60 | 1, 220 ~ 240, 50 1, 220, 60 | 1, 220 ~ 240, 50 1, 220, 60 |
| Refrigerant control | | | EEV | EEV | EEV |
| Power cable | | | CV1.5 x 3C | CV1.5 x 3C | CV1.5 x 3C |
| Transmission cable | | | CVV-SB 1.25 x 2C | CVV-SB 1.25 x 2C | CVV-SB 1.25 x 2C |
| Panel color | | | White | White | White |
| Panel name(acc'y) | Panel type | | PT-UUD | - | PT-UUD |
| | Grille type | | - | PT-UUC | PT-UUC |

Notes:-

- Capacities are based on the following conditions:
 - Cooling
 - Indoor temp. 27°C[80.6°F]DB/ 19°C[66.2°F]WB
 - Outdoor temp. 35°C[95°F]DB/ 24°C[75.2°F]WB
 - Interconnecting piping length 7.5m
 - Level difference of zero
 - Heating
 - Indoor temp. 20°C[68°F]DB/ 15°C[59°F]WB
 - Outdoor temp. 7°C[44.6°F]DB/ 6°C[42.8°F]WB
 - Interconnecting piping length 7.5m
 - Level difference of zero

2. Capacities are net capacities

3. Due to our policy of innovation some specifications may be changed without prior notification

4. To be added for more available models

5. EEV : Electronic expansion valve

Conversion formula

kcal/h= kW x 860
 Btu/h = kW x 3412
 cfm = m³/min x 35.3
 l/s = CMM x 1000/60

| Type | | | 1Way ceiling cassette (art type) | | |
|---|---------------------------|----------|---|---|---|
| Model | | Unit | ARNU18GTTR2 | ARUN18GTTC2 | ARUN18GTTA2 |
| Cooling capacity | | kW | 5.6 | 5.6 | 5.6 |
| | | kcal/h | 4,800 | 4,800 | 4,800 |
| | | Btu/h | 19,100 | 19,100 | 19,100 |
| Heating capacity | | kW | 6.3 | 6.3 | 6.3 |
| | | kcal/h | 5,400 | 5,400 | 5,400 |
| | | Btu/h | 21,500 | 21,500 | 21,500 |
| Casing | | | Galvanized steel plate | Galvanized steel plate | Galvanized steel plate |
| Dimensions(WxDxH) | Body | mm | 1,180x450x132 | 1,180x450x132 | 1,180x450x132 |
| | | inch | 46.5x17.7x5.2 | 46.5x17.7x5.2 | 46.5x17.7x5.2 |
| | Front panel | mm | 1,420x500x34 | 1,420x500x34 | 1,420x500x34 |
| | | inch | 55.9x19.7x1.3 | 55.9x19.7x1.3 | 55.9x19.7x1.3 |
| Coil | Rows x Columns x FPI | | 2x12x18 | 2x12x18 | 2x12x18 |
| | Face area | | m ² | 0.24 | 0.24 |
| | Type | | Cross flow fan | Cross flow fan | Cross flow fan |
| | Motor output x number | | W | 30 | 30 |
| Fan | Running current | | A | 0.3 | 0.3 |
| | Air flow rate(H/M/L) | CMM | 13.3/12.1/10.9 | 13.3/12.1/10.9 | 13.3/12.1/10.9 |
| | | cfm | 515.4/427.1/384.8 | 515.4/427.1/384.8 | 515.4/427.1/384.8 |
| | Drive | | Direct | Direct | Direct |
| | Motor type | | BLDC | BLDC | BLDC |
| Temperature control | | | Microprocessor, Thermostat for cooling and heating | Microprocessor, Thermostat for cooling and heating | Microprocessor, Thermostat for cooling and heating |
| Sound absorbing thermal insulation material | | | Foamed polystrene | Foamed polystrene | Foamed polystrene |
| Safety device | | | Fuse | Fuse | Fuse |
| Pipe connections | Liquid side | mm(inch) | Ø6.35(1/4) | Ø6.35(1/4) | Ø6.35(1/4) |
| | Gas side | mm(inch) | Ø12.7(1/2) | Ø12.7(1/2) | Ø12.7(1/2) |
| | Drain pipe(internal dia.) | mm | 25 | 25 | 25 |
| Net weight | Body | kg(lbs) | 18.6(41) | 18(39.68) | 18(39.68) |
| Noise level(sound press, 1.5m, H/M/L) | | dB(A) | 40/37/35 | 40/37/35 | 40/37/35 |
| Power supply | | Ø, V, Hz | 1, 220 ~ 240, 50 1, 220, 60 | 1, 220 ~ 240, 50 1, 220, 60 | 1, 220 ~ 240, 50 1, 220, 60 |
| Refrigerant control | | | EEV | EEV | EEV |
| Power cable | | | CV1.5 x 3C | CV1.5 x 3C | CV1.5 x 3C |
| Transmission cable | | | CVV-SB 1.25 x 2C | CVV-SB 1.25 x 2C | CVV-SB 1.25 x 2C |
| Panel color | | | White | White | White |
| Panel name(acc'y) | Panel type | | PT-UTD | - | PT-UTD |
| | Grille type | | - | PT-UTC | PT-UTC |

Notes:-

1. Capacities are based on the following conditions:

- Cooling
 - Indoor temp. 27°C[80.6°F]DB/ 19°C[66.2°F]WB
 - Outdoor temp. 35°C[95°F]DB/ 24°C[75.2°F]WB
 - Interconnecting piping length 7.5m
 - Level difference of zero
- Heating
 - Indoor temp. 20°C[68°F]DB/ 15°C[59°F]WB
 - Outdoor temp. 7°C[44.6°F]DB/ 6°C[42.8°F]WB
 - Interconnecting piping length 7.5m
 - Level difference of zero

2. Capacities are net capacities

3. Due to our policy of innovation some specifications may be changed without prior notification

4. To be added for more available models

5. EEV : Electronic expansion valve

Conversion formula

kcal/h= kW x 860
 Btu/h = kW x 3412
 cfm = m³/min x 35.3
 l/s = CMM x 1000/60

| Type | | | 1Way ceiling cassette (art type) | | | |
|---|---------------------------|----------|---|---|---|-----------------|
| Model | | Unit | ARNU24GTTR2 | ARUN24GTT*2 | ARUN24GTT*2 | |
| Cooling capacity | | kW | 7.1 | 7.1 | 7.1 | |
| | | kcal/h | 6,100 | 6,100 | 6,100 | |
| | | Btu/h | 24,200 | 24,200 | 24,200 | |
| Heating capacity | | kW | 7.1 | 7.1 | 7.1 | |
| | | kcal/h | 6,100 | 6,100 | 6,100 | |
| | | Btu/h | 24,200 | 24,200 | 24,200 | |
| Casing | | | Galvanized steel plate | Galvanized steel plate | Galvanized steel plate | |
| Dimensions(WxDxH) | Body | mm | 1,180x450x132 | 1,180x450x132 | 1,180x450x132 | |
| | | inch | 46.5x17.7x5.2 | 46.5x17.7x5.2 | 46.5x17.7x5.2 | |
| | Front panel | mm | 1,420x500x34 | 1,420x500x34 | 1,420x500x34 | |
| | | inch | 55.9x19.7x1.3 | 55.9x19.7x1.3 | 55.9x19.7x1.3 | |
| Coil | Rows x Columns x FPI | | 2x12x18 | 2x12x18 | 2x12x18 | |
| | Face area | | m ² | 0.24 | 0.24 | |
| Fan | Type | | Cross flow fan | Cross flow fan | Cross flow fan | |
| | Motor output x number | | W | 30 | 30 | |
| | Running current | | A | 0.3 | 0.3 | |
| | Air flow rate(H/M/L) | CMM | | 14.6/13.3/11.5 | 14.6/13.3/11.5 | 14.6/13.3/11.5 |
| | | cfm | | 515.4/469.5/406 | 515.4/469.5/406 | 515.4/469.5/406 |
| | Drive | | | Direct | Direct | |
| Motor type | | | BLDC | BLDC | | |
| Temperature control | | | Microprocessor, Thermostat for cooling and heating | Microprocessor, Thermostat for cooling and heating | Microprocessor, Thermostat for cooling and heating | |
| Sound absorbing thermal insulation material | | | Foamed polystrene | Foamed polystrene | Foamed polystrene | |
| Safety device | | | Fuse | Fuse | Fuse | |
| Pipe connections | Liquid side | mm(inch) | Ø9.52(3/8) | Ø9.52(3/8) | Ø9.52(3/8) | |
| | Gas side | mm(inch) | Ø15.88(5/8) | Ø15.88(5/8) | Ø15.88(5/8) | |
| | Drain pipe(internal dia.) | mm | 25 | 25 | 25 | |
| Net weight | Body | kg(lbs) | 18.6(41) | 18(39.68) | 18(39.68) | |
| Noise level(sound press, 1.5m, H/M/L) | | dB(A) | 43/40/36 | 43/40/36 | 43/40/36 | |
| Power supply | | Ø, V, Hz | 1, 220 ~ 240, 50 1, 220, 60 | 1, 220 ~ 240, 50 1, 220, 60 | 1, 220 ~ 240, 50 1, 220, 60 | |
| Refrigerant control | | | EEV | EEV | EEV | |
| Power cable | | | CV1.5 x 3C | CV1.5 x 3C | CV1.5 x 3C | |
| Transmission cable | | | CVV-SB 1.25 x 2C | CVV-SB 1.25 x 2C | CVV-SB 1.25 x 2C | |
| Panel color | | | White | White | White | |
| Panel name(acc'y) | Panel type | | PT-UTD | - | PT-UTD | |
| | Grille type | | - | PT-UTC | PT-UTC | |

Notes:-

- Capacities are based on the following conditions:
 - Cooling
 - Indoor temp. 27°C[80.6°F]DB/ 19°C[66.2°F]WB
 - Outdoor temp. 35°C[95°F]DB/ 24°C[75.2°F]WB
 - Interconnecting piping length 7.5m
 - Level difference of zero
 - Heating
 - Indoor temp. 20°C[68°F]DB/ 15°C[59°F]WB
 - Outdoor temp. 7°C[44.6°F]DB/ 6°C[42.8°F]WB
 - Interconnecting piping length 7.5m
 - Level difference of zero

- Capacities are net capacities
- Due to our policy of innovation some specifications may be changed without prior notification
- To be added for more available models
- EEV : Electronic expansion valve

| Conversion formula |
|----------------------------------|
| kcal/h= kW x 860 |
| Btu/h = kW x 3412 |
| cfm = m ³ /min x 35.3 |
| l/s = CMM x 1000/60 |

2. List of Functions

* Model Name
R:Robot, C:Plasma, A:Basic

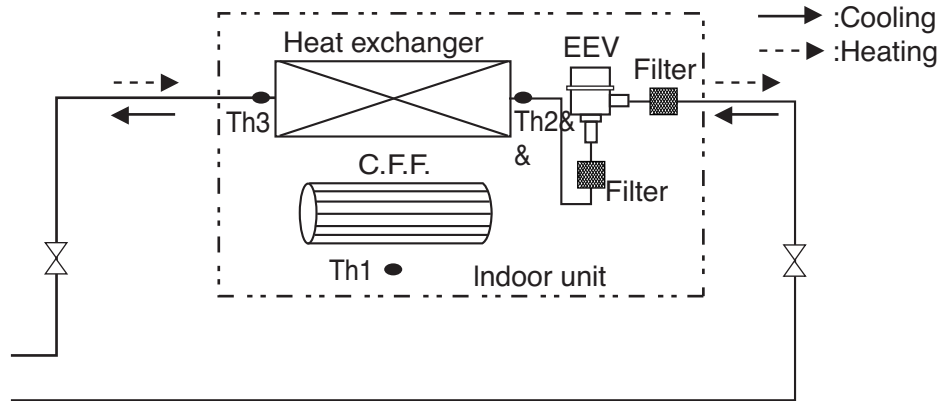
| Category | Function | ARNU24GTT*2 / ARNU18GTT*2 / ARNU12GTU*2 / ARNU09GTU*2 / ARNU07GTU*2 |
|-----------------------------|---|--|
| Air flow | Air supply outlet | 1 |
| | Airflow direction control(left & right) | O |
| | Airflow direction control(up & down) | O |
| | Auto swing(left & right) | X |
| | Auto swing(up & down) | O |
| | Airflow steps(fan/cool/heat) | 4/5/4 |
| | Chaos swing | O |
| | Chaos wind(auto wind) | O |
| | Jet cool(power wind) | O |
| | Swirl wind | - |
| Air purifying | Deodorizing filter | X |
| | Plasma air purifier | Option |
| | Prefilter(washable / anti-fungus) | Option |
| | Robot cleaner | Option |
| Installation | Drain pump | O |
| | E.S.P. control | O |
| | Electric heater(operation) | X |
| | High ceiling operation | O |
| Reliability | Hot start | O |
| | Self diagnosis | O |
| | Soft dry operation | O |
| Convenience | Auto changeover | O(Heat recovery) |
| | Auto cleaning | O |
| | Auto operation(artificial intelligence) | O(Heat pump or cooling only) |
| | Auto restart operation | O |
| | Child lock | O |
| | Forced operation | O |
| | Group control | O |
| | Sleep mode | O |
| | Timer(on/off) | O |
| | Timer(weekly) | O |
| | Two thermistor control | O |
| Elevation grill (accessory) | x | |
| Individual control | Standard wired remote controller | Accessory |
| | Deluxe wired remote controller | Accessory |
| | Simple wired remote controller | Accessory |
| | Wired remote controller(for hotel use) | Accessory |
| | Wireless remote controller(simple) | X |
| | Wireless LCD remote control | Accessory |
| Special function kit | Zone control | - |
| | CTIE | - |
| | Electro thermostat | - |

O : Applied X : Not applied - : No relation

Option : Model name & price are different according to options, and assembled in factory with main unit.

Accessory : Installed at field, ordered and purchased separately by the corresponding model name, supplied with separate package.

3. Piping Diagrams



■ Refrigerant pipe connection port diameter

[Unit: mm(inch)]

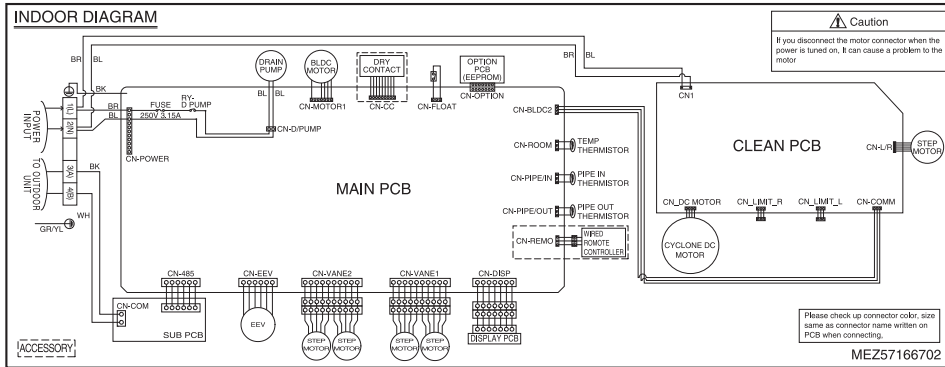
| Model | Gas | Liquid |
|-------------|-------------|------------|
| ARNU07GTU*2 | Ø12.7(1/2) | Ø6.35(1/4) |
| ARNU09GTU*2 | Ø12.7(1/2) | Ø6.35(1/4) |
| ARNU12GTU*2 | Ø12.7(1/2) | Ø6.35(1/4) |
| ARNU18GTT*2 | Ø12.7(1/2) | Ø6.35(1/4) |
| ARNU24GTT*2 | Ø15.88(5/8) | Ø9.52(3/8) |

* Model Name
R:Robot, C:Plasma, A:Basic

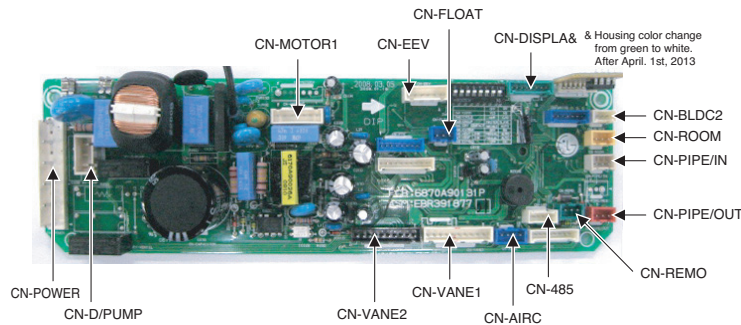
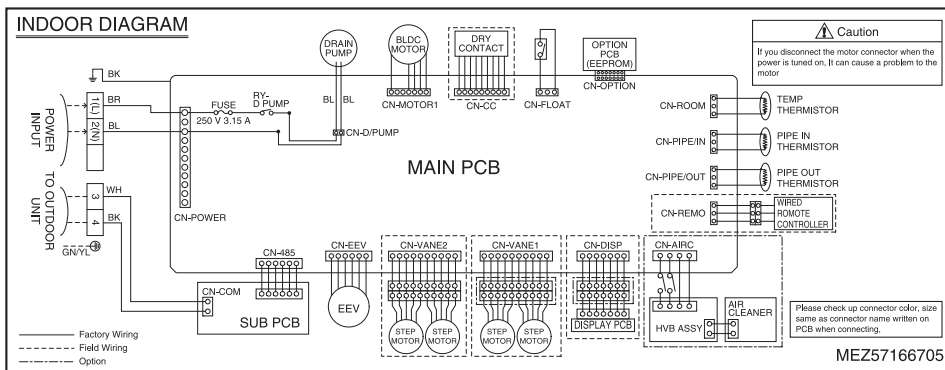
| LOC. | Description |
|------|---------------------|
| Th1 | Room thermistor |
| Th2 | Pipe in thermistor |
| Th3 | Pipe out thermistor |

4. Wiring Diagrams

Robot model : ARNU**GT*R2



Plasma / Standard model : ARNU**GT*C2/A2



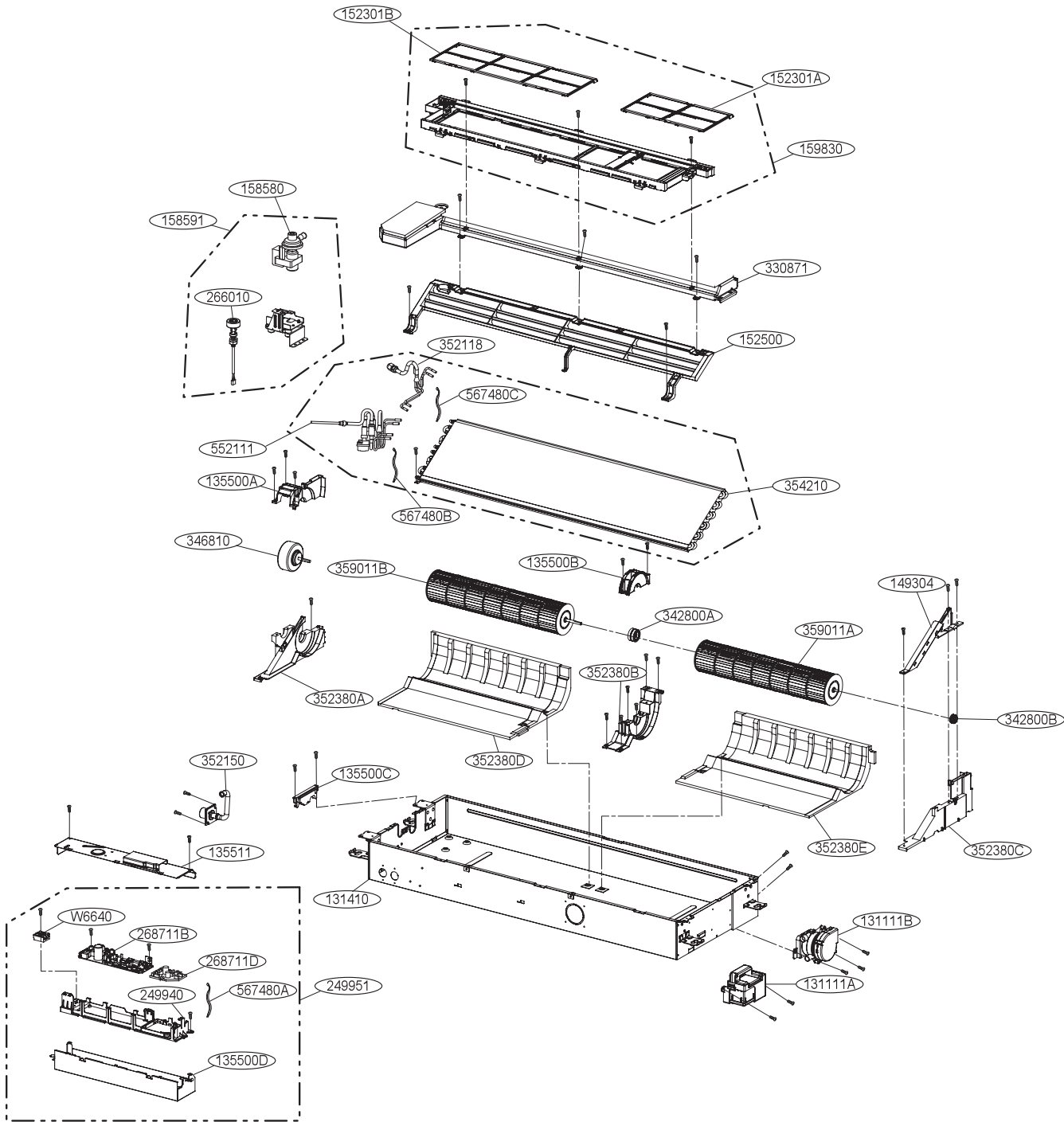
| Dip switch setting | | Off | On | Remarks |
|--------------------|-------------|----------|-------|--|
| SW3 | Group | Master | Slave | Group control setting using wired remote controller |
| SW4 | Dry contact | Variable | Auto | Dry contact mode setting 1. Variable : Auto/manual mode can be chosen by wide wired remote controller or wireless remote controller (when shipped from factory → manual mode) 2. Auto : For dry contact, it is always auto mode. |
| SW5 | Extra 1 | Off | On | 1. Duct model - Off : Default(not operate continuously) - On : Fan operate continuously 2. Cassette model : No function 3. Ceiling suspended model - Off : Ceiling(default) - On : Floor |

CAUTION

For Multi V model, dip switch 1,2,6,7,8 must be set off.
Those dip switches are used for other models.

5. Exploded View

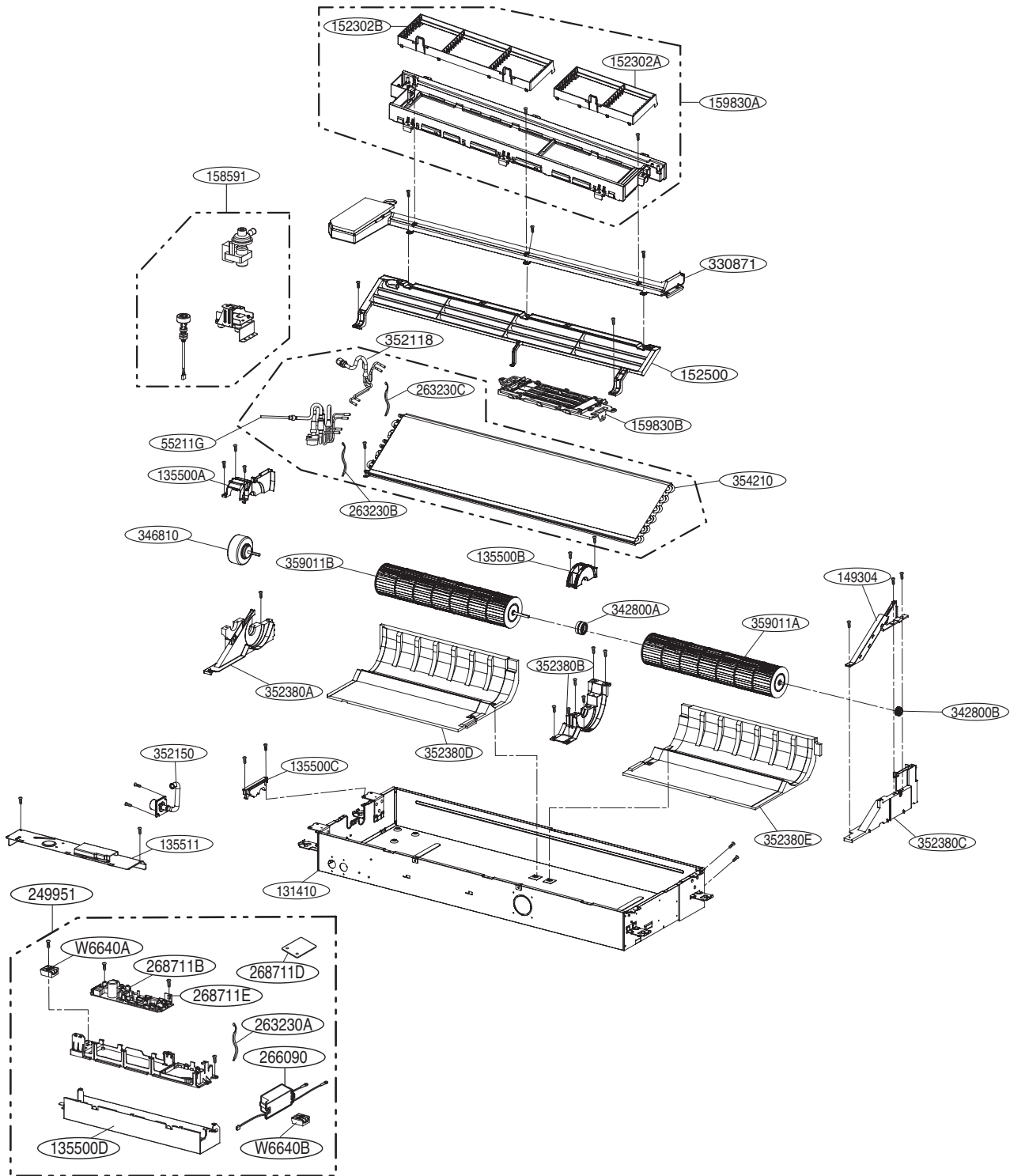
• TT chassis : Robot model (ARNU**GTTR2)



| | | | |
|--------------|---------|----------|------------------------|
| Thermistor 1 | 567480A | Air | Housing color : yellow |
| Thermistor 2 | 567480B | Pipe in | Housing color : white |
| Thermistor 3 | 567480C | Pipe out | Housing color : red |

5. Exploded View

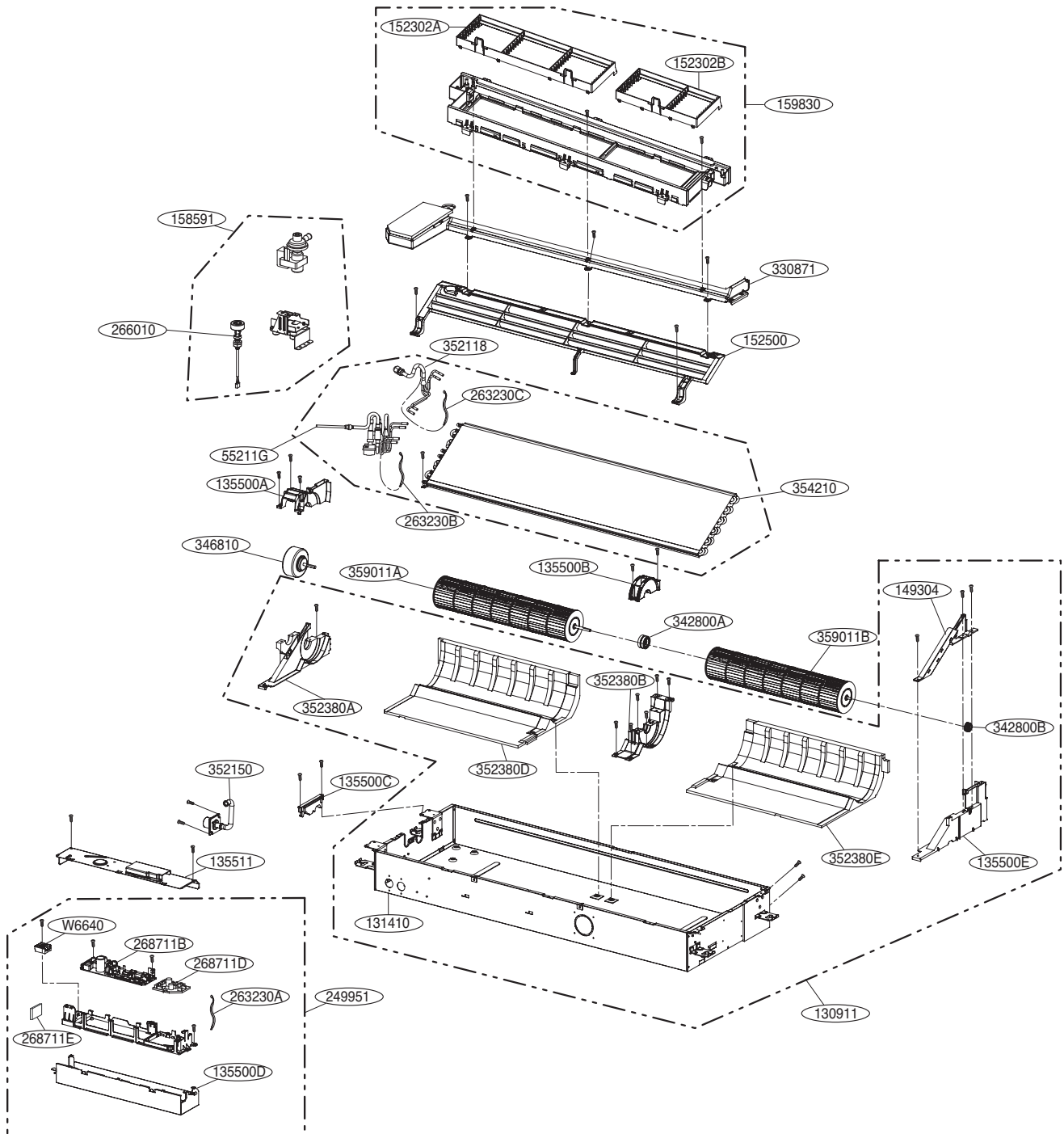
• TT chassis : Plasma model (ARNU**GTTC2)



| | | | |
|--------------|---------|----------|------------------------|
| Thermistor 1 | 263230A | Air | Housing color : yellow |
| Thermistor 2 | 263230B | Pipe in | Housing color : white |
| Thermistor 3 | 263230C | Pipe out | Housing color : red |

5. Exploded View

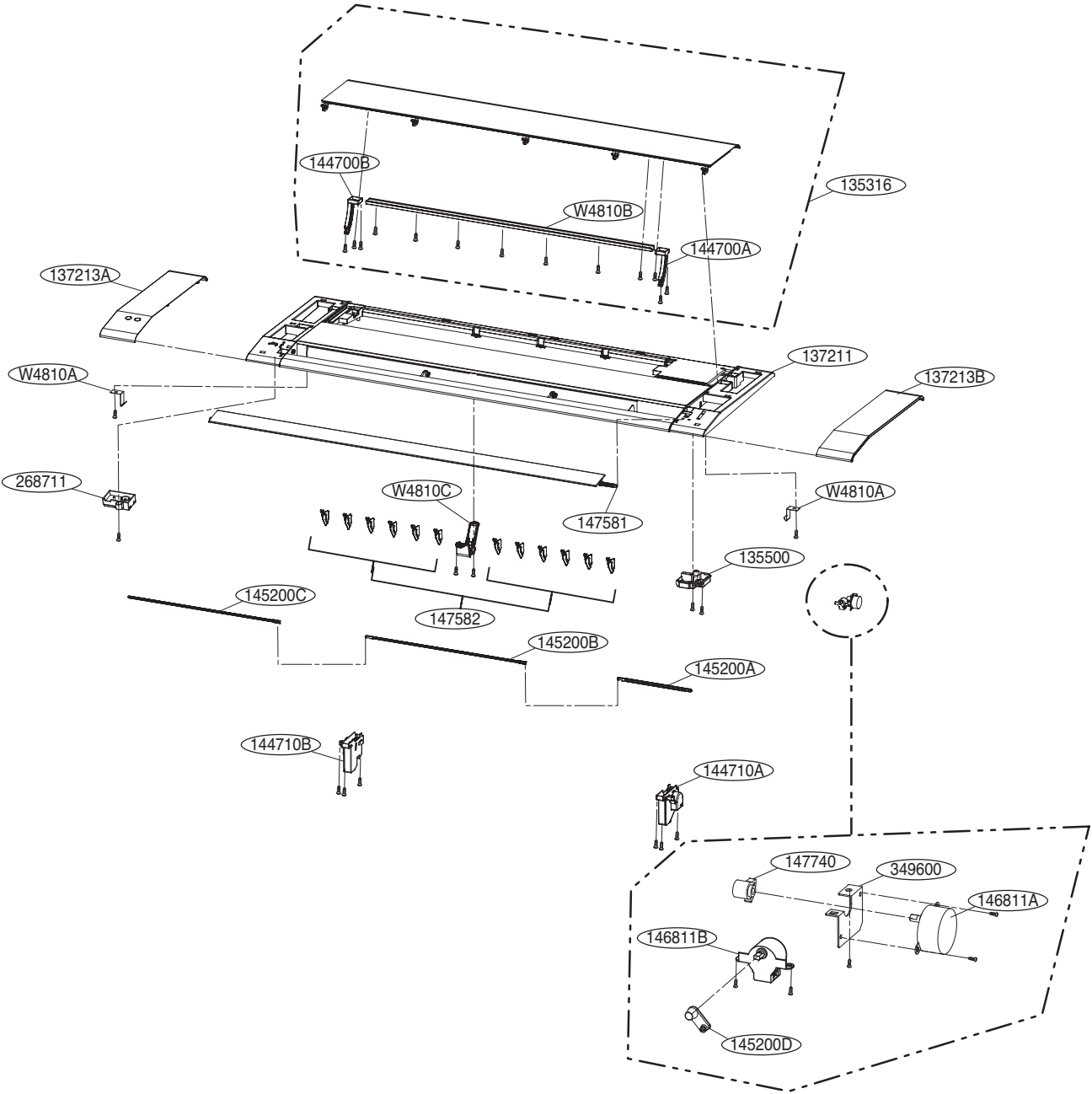
• TT chassis : Standard model (ARNU**GTTA2)



| | | | |
|--------------|---------|----------|------------------------|
| Thermistor 1 | 263230A | Air | Housing color : yellow |
| Thermistor 2 | 263230B | Pipe in | Housing color : white |
| Thermistor 3 | 263230C | Pipe out | Housing color : red |

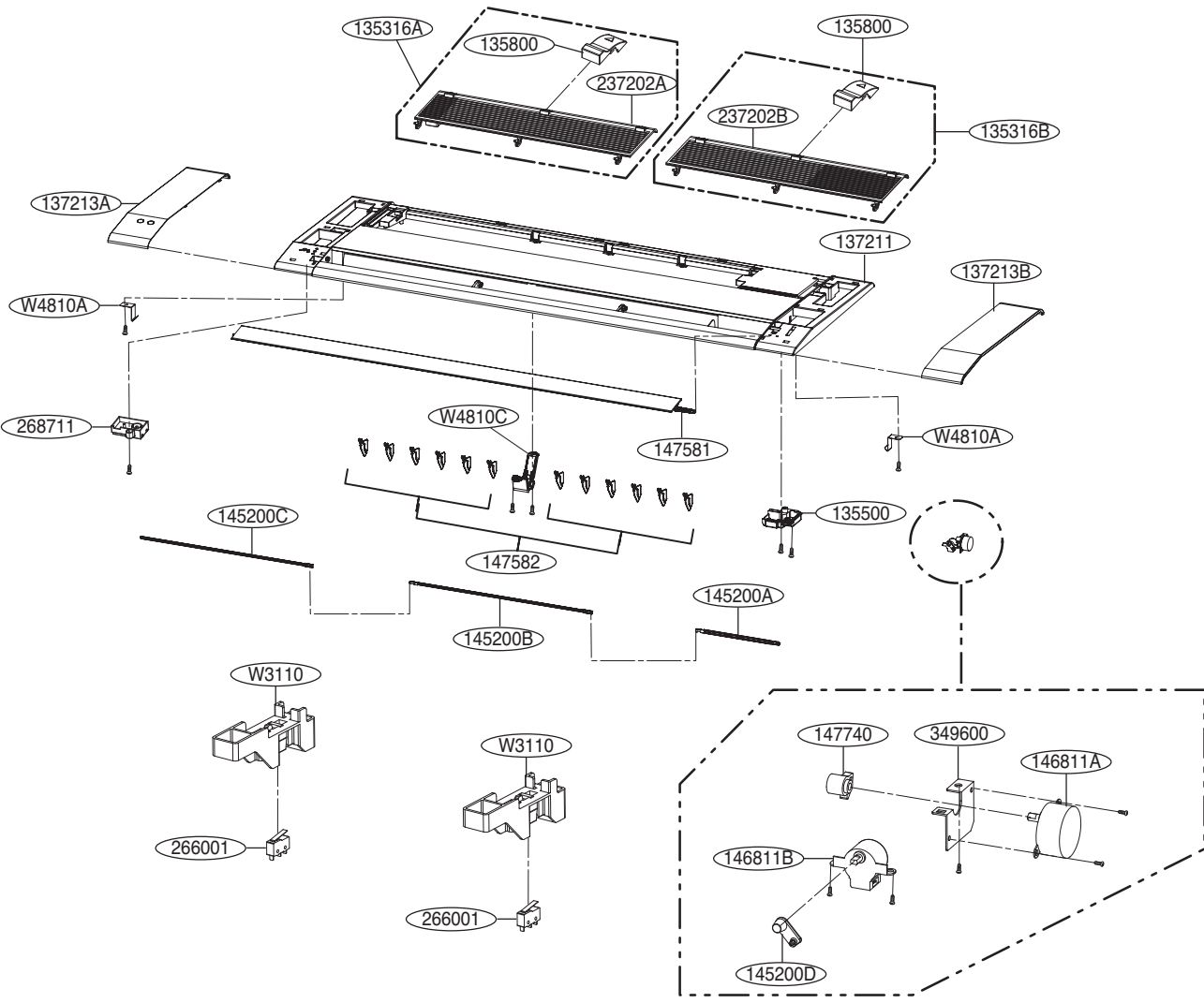
5. Exploded View

TT chassis front panel (panel type) : PT-UTD



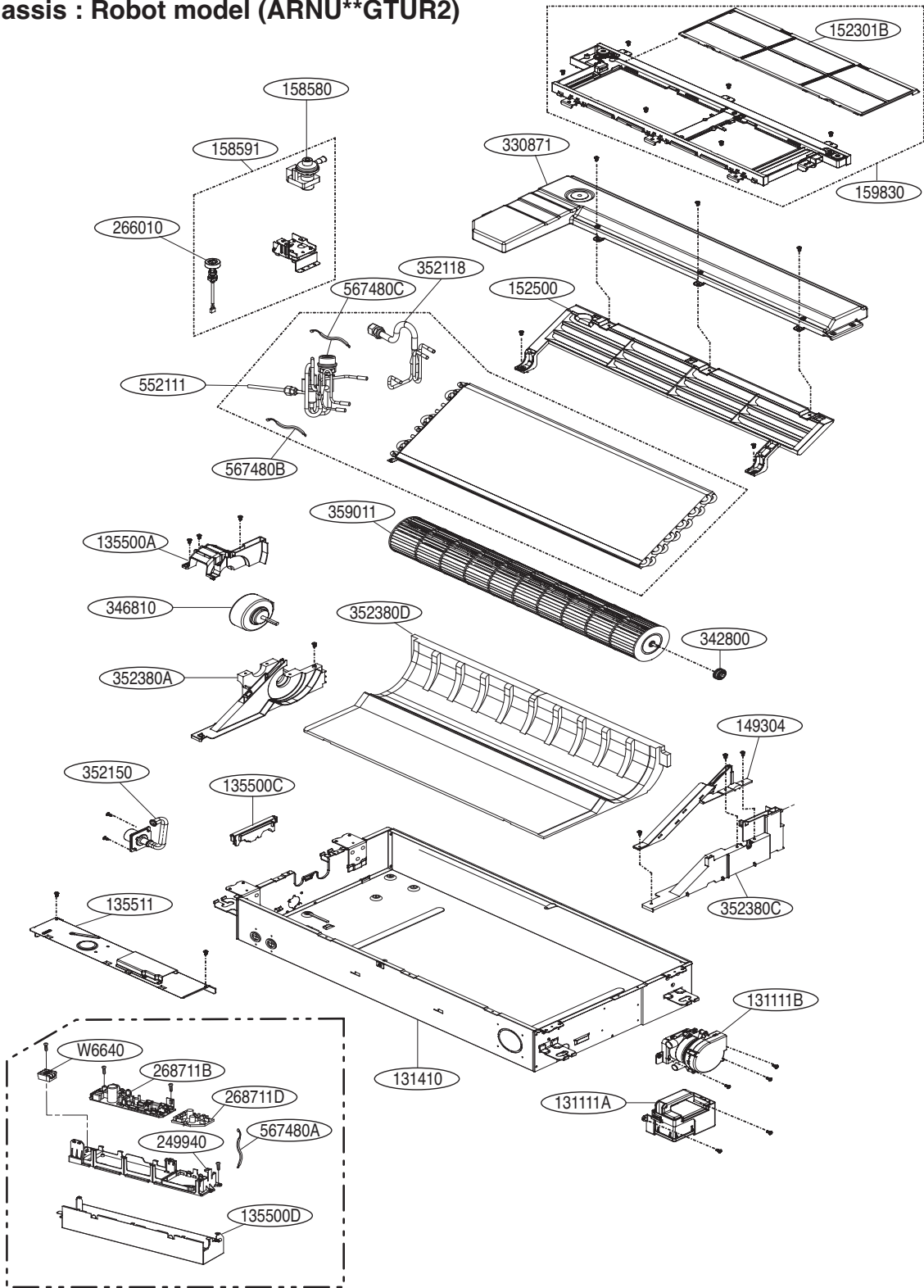
5. Exploded View

TT chassis front panel (grille type) : PT-UTC



5. Exploded View

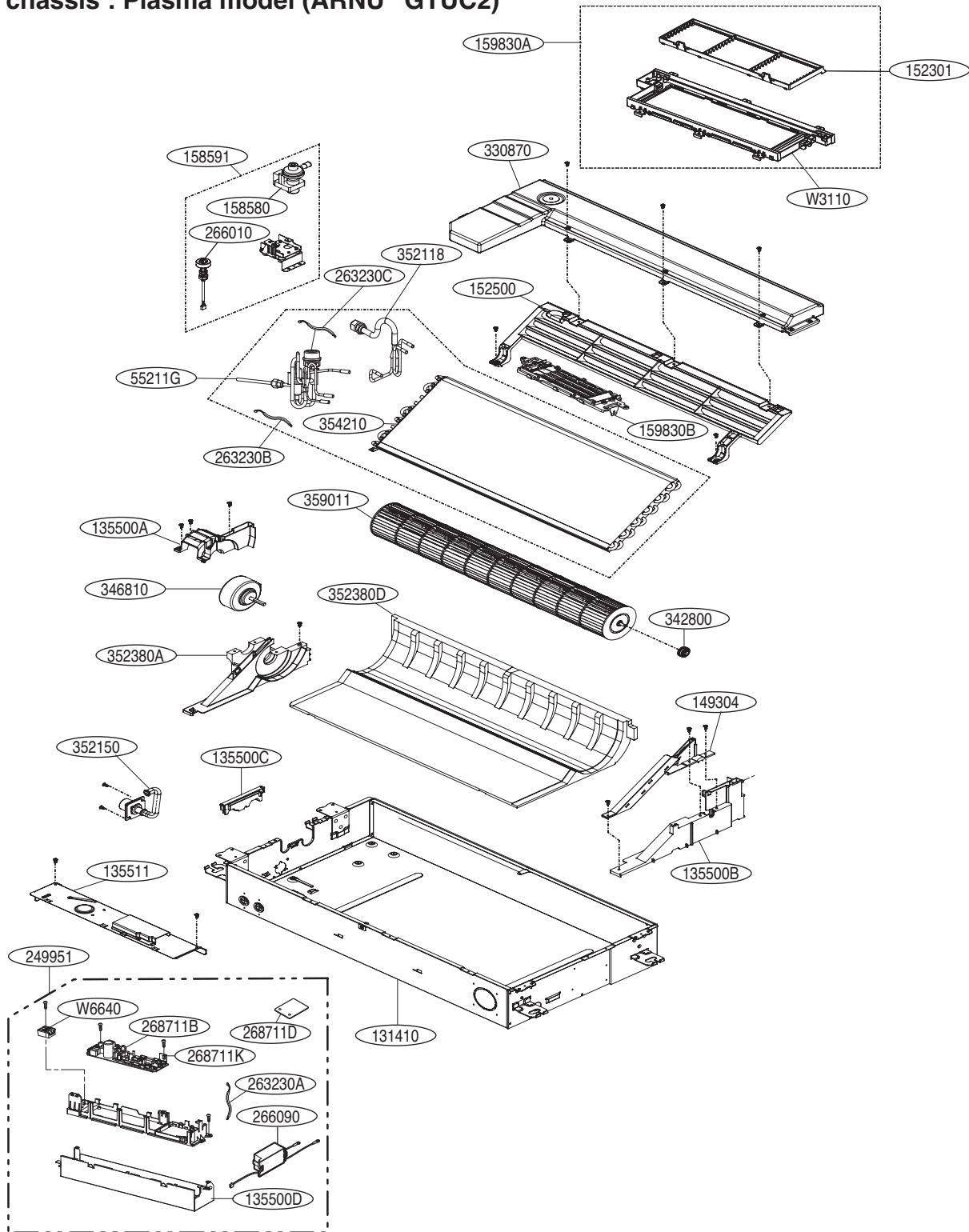
• TU chassis : Robot model (ARNU**GTUR2)



| | | | |
|--------------|---------|----------|------------------------|
| Thermistor 1 | 567480A | Air | Housing color : yellow |
| Thermistor 2 | 567480B | Pipe in | Housing color : white |
| Thermistor 3 | 567480C | Pipe out | Housing color : red |

5. Exploded View

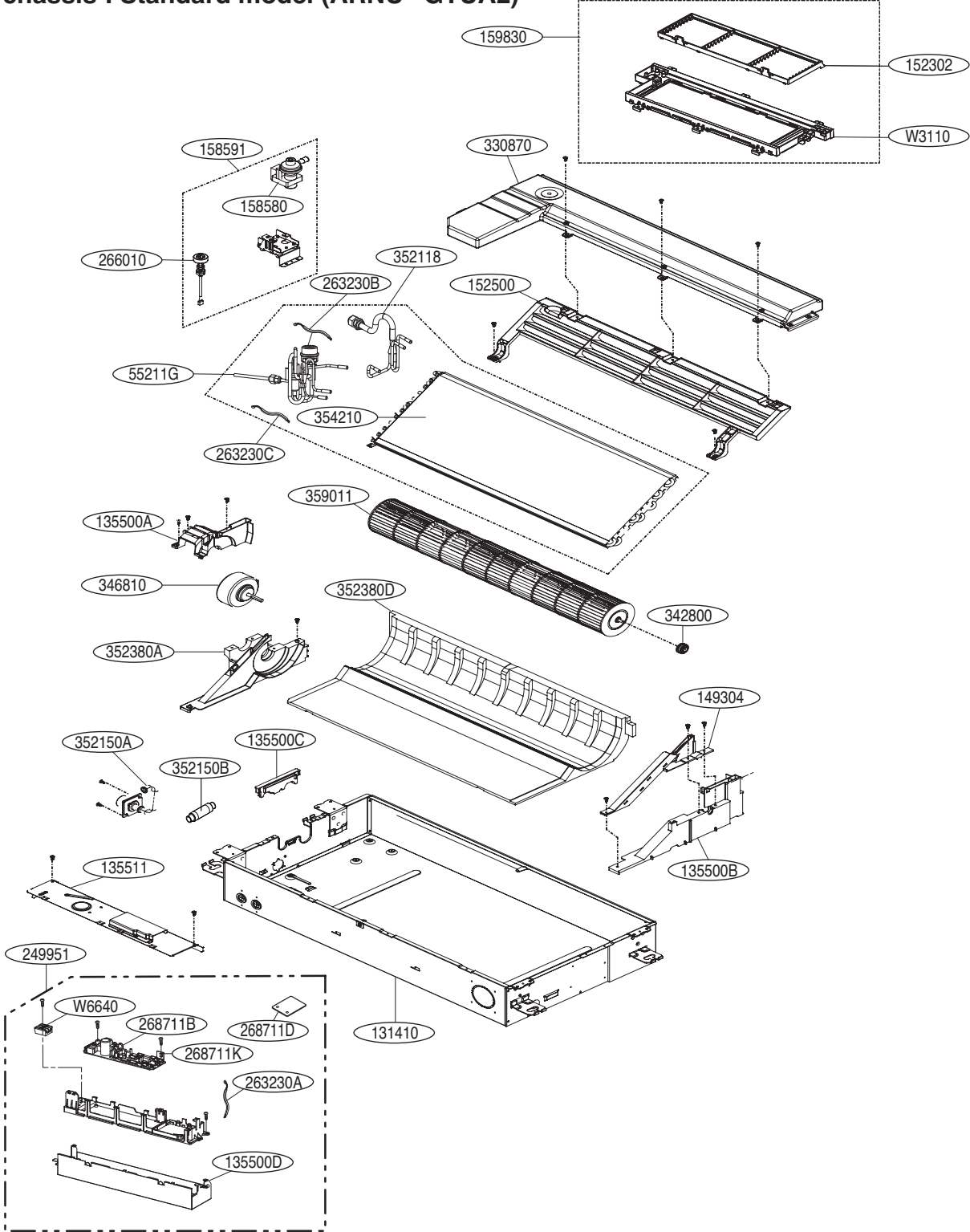
• TU chassis : Plasma model (ARNU**GTUC2)



| | | | |
|--------------|---------|----------|------------------------|
| Thermistor 1 | 263230A | Air | Housing color : yellow |
| Thermistor 2 | 263230B | Pipe in | Housing color : white |
| Thermistor 3 | 263230C | Pipe out | Housing color : red |

5. Exploded View

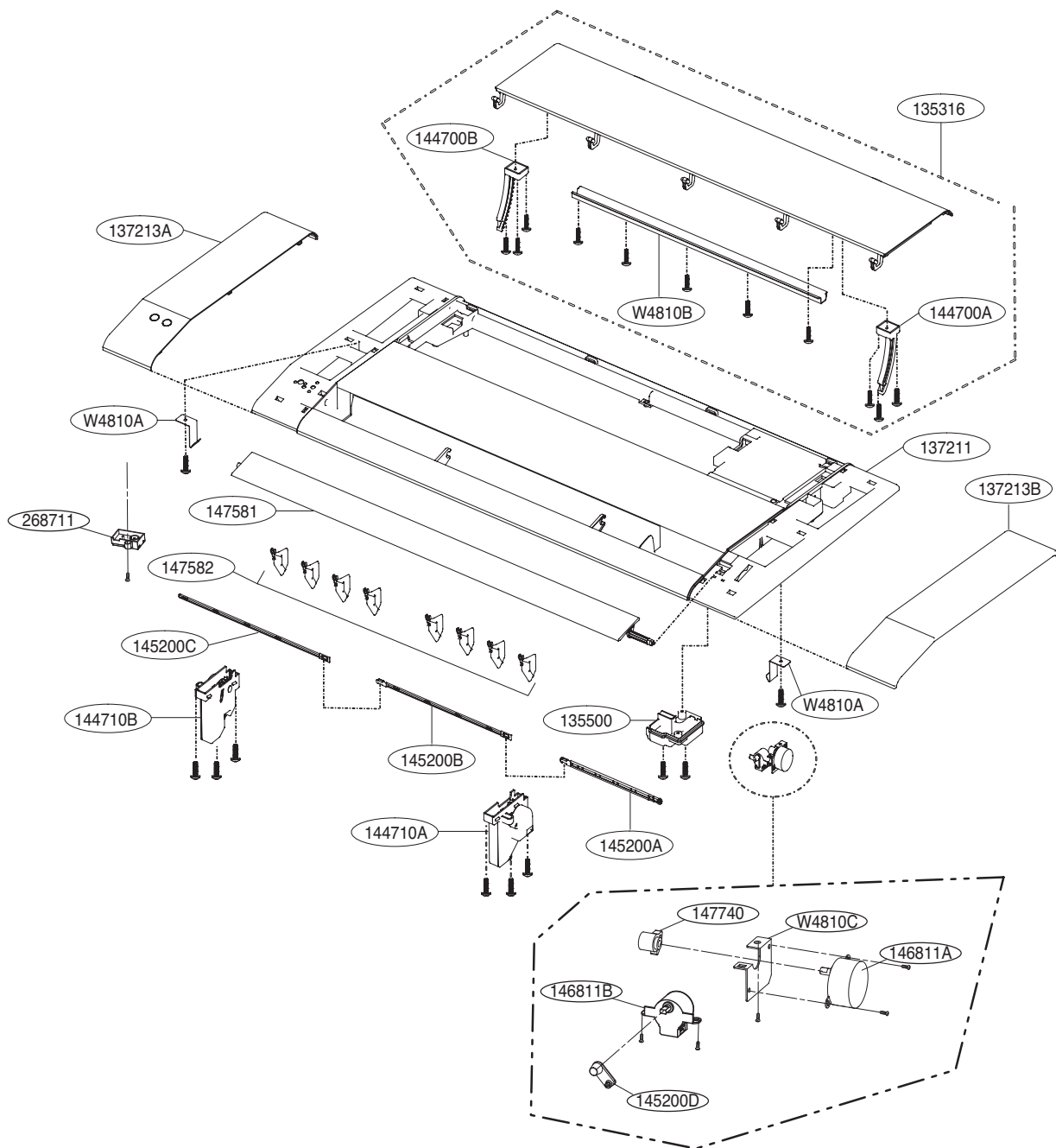
• TU chassis : Standard model (ARNU**GTUA2)



| | | | |
|--------------|---------|----------|------------------------|
| Thermistor 1 | 263230C | Air | Housing color : yellow |
| Thermistor 2 | 263230A | Pipe in | Housing color : white |
| Thermistor 3 | 263230B | Pipe out | Housing color : red |

5. Exploded View

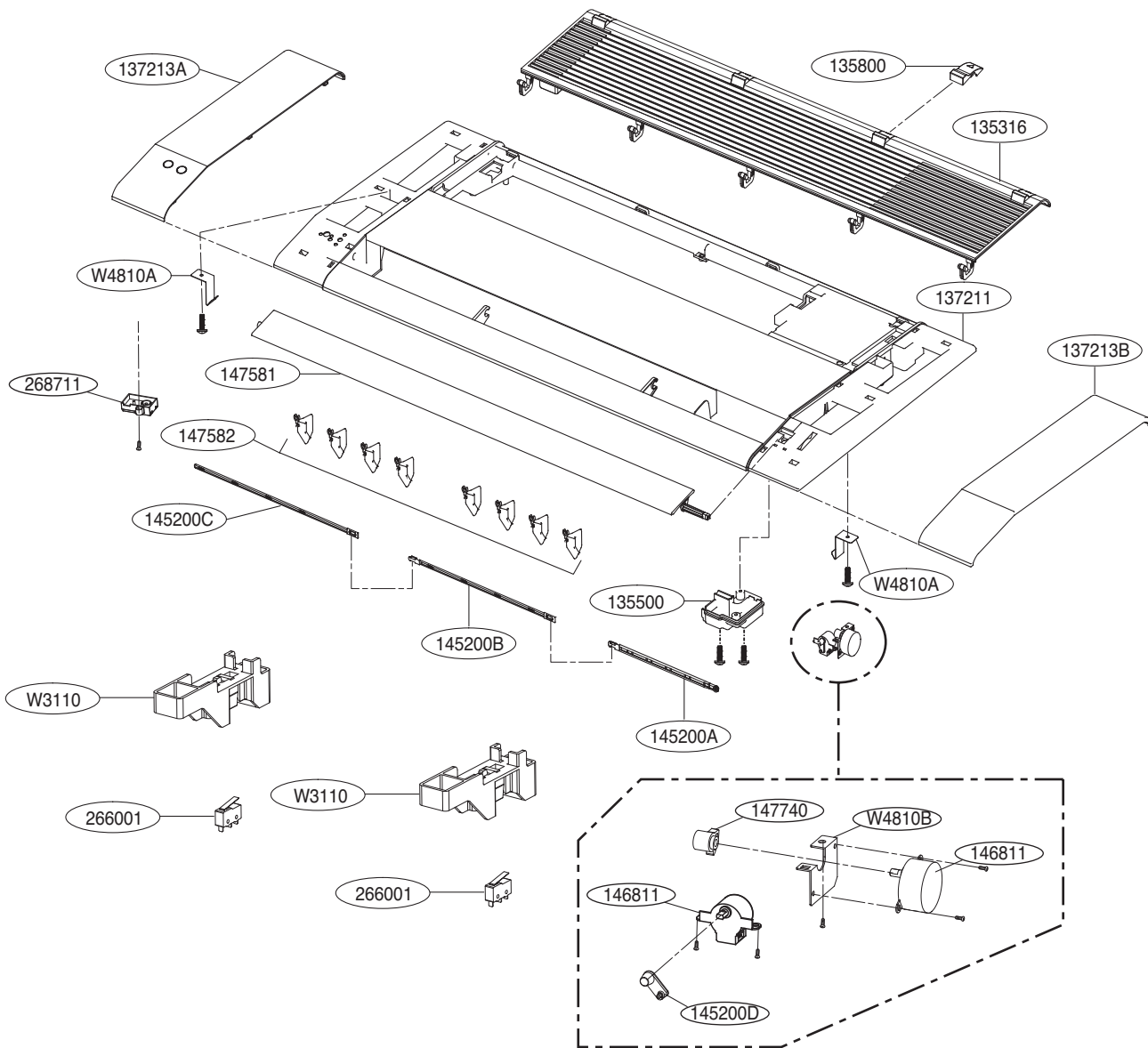
TU chassis : Front panel (panel type) : PT-UUD



| | | | |
|--------------|---------|----------|------------------------|
| Thermistor 1 | 567480A | Air | Housing color : yellow |
| Thermistor 2 | 567480B | Pipe in | Housing color : white |
| Thermistor 3 | 567480C | Pipe out | Housing color : red |

5. Exploded View

TU chassis : Front panel (grille type) : PT-UUC





P/NO : MFL57199202

DECEMBER, 2009