



Internal Use Only

<http://biz.lgservice.com>

Room Air Conditioner

SVC MANUAL(Exploded View)

**MODEL : AMNW18GRCL0
AMNW24GRCL0**

CAUTION

Before Servicing the unit, read the safety precautions in General SVC manual.
Only for authorized service personnel.

1. Specification

Indoor

Model			AMNW18GRCL0	AMNW24GRCL0
Power supply	ØV/Hz		1/220-240/50	1/220-240/50
Current (Cooling/Heating)	A		6.6/7.3	9.8/10.4
Fan	Motor type		BLDC	BLDC
	Fan type		Cross Flow Fan	Cross Flow Fan
Piping connections	Liquid	mm(inch)	6.35(1/4)	9.52(3/8)
	Gas	mm(inch)	12.70(1/2)	15.88(5/8)
Dimensions (W*H*D)	mm		1030*325*250	1030*325*250
	inch		40.6*12.8*9.84	40.6*12.8*9.84
Refrigerant control			EEV(in Outdoor Unit or BD)	
Power&transmission cable	No. x mm ²		4*1.0(Including Earth)	4*1.0(Including Earth)

Note:

1. Capacities are based on the following conditions:

- Cooling: - Indoor Temperature 27°C(80.6°F) DB/19°C(66.2°F) WB
- Outdoor Temperature 35°C(95°F) DB/24°C(75.2°F) WB
- Heating: - Indoor Temperature 20°C(68°F) DB/15°C(59°F) WB
- Outdoor Temperature 7°C(44.6°F) DB/6°C(42.8°F) WB
- Piping Length - Interconnecting Piping Length 7.5m
- Level Difference of Zero

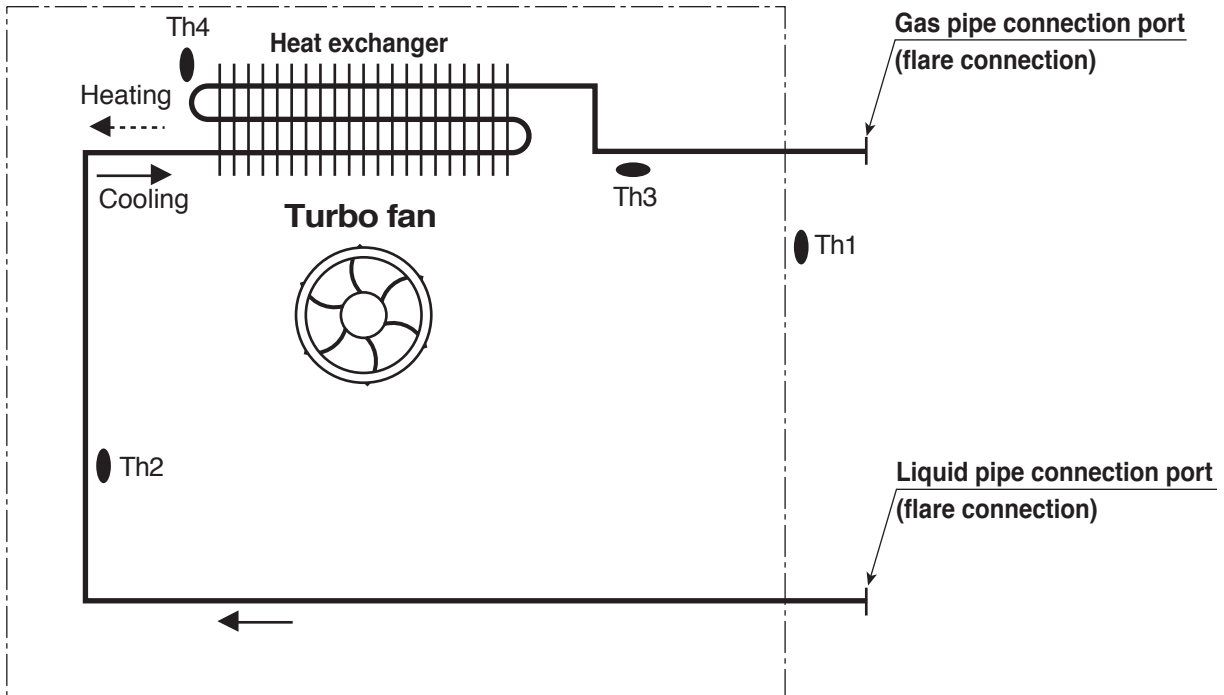
2. Wiring cable size must comply with the applicable local and national code.

3. The specification may be subject to change without prior notice for purpose of improvement.

Conversion Formula
kW = Btu/h x 0.0002931
cfm = CMM x 35.3

2. Piping Diagrams

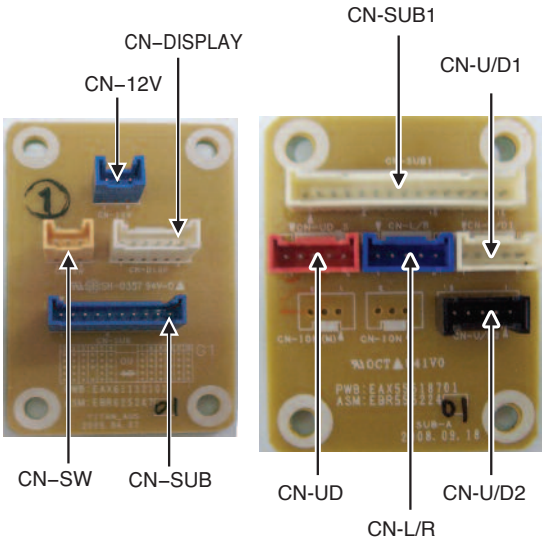
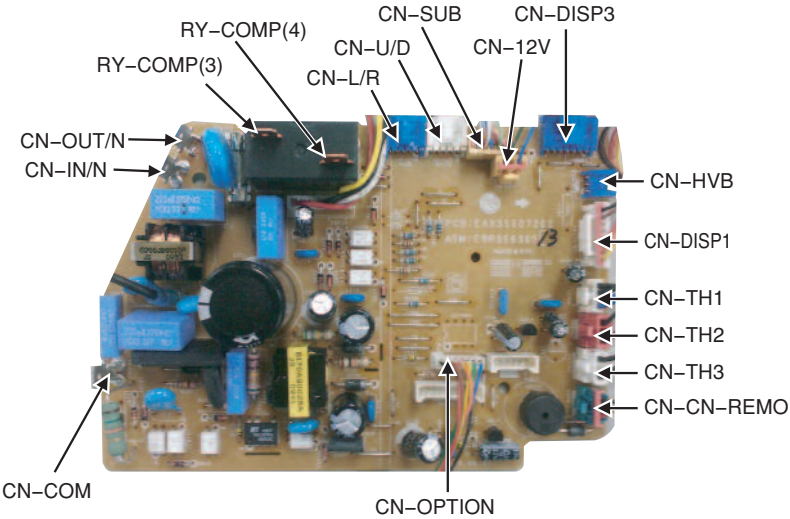
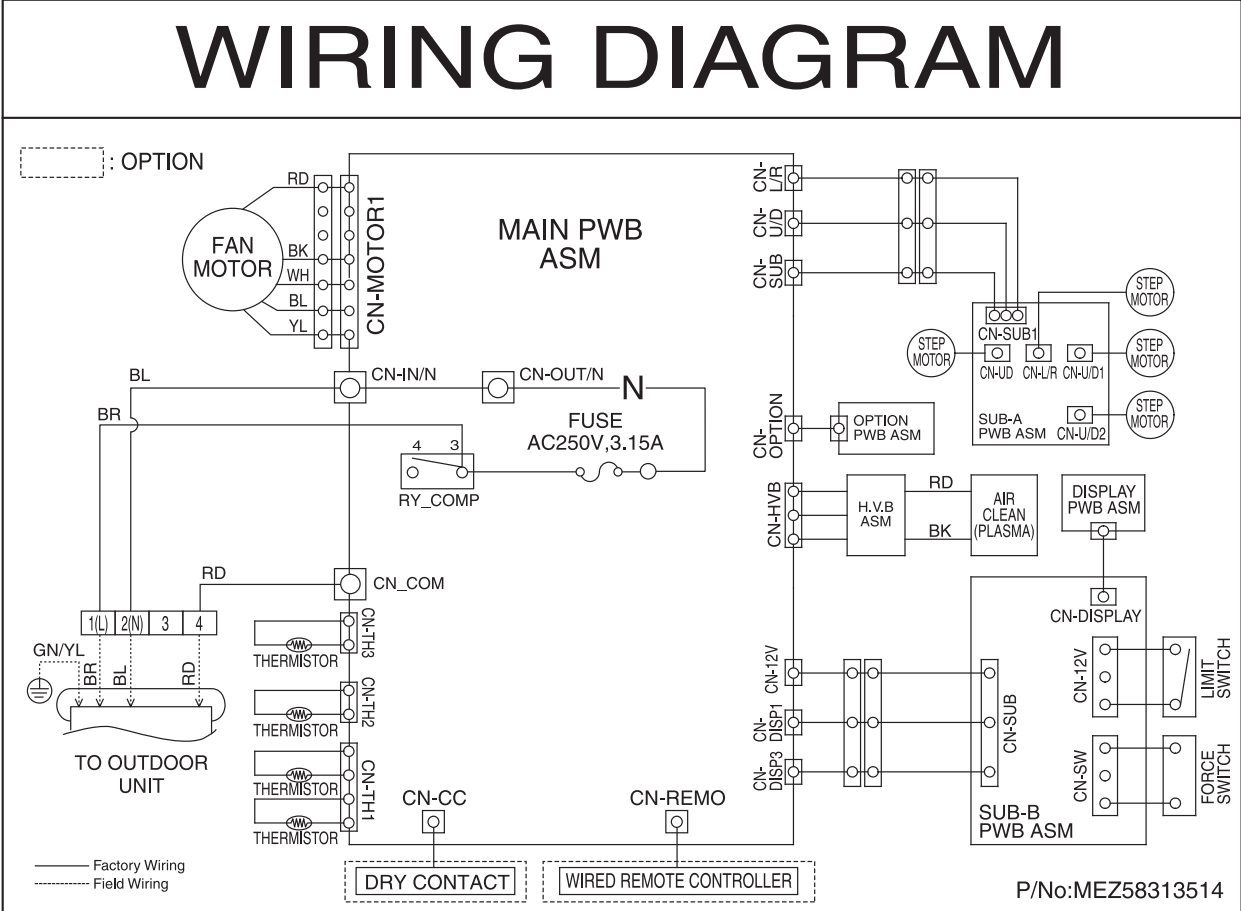
Indoor



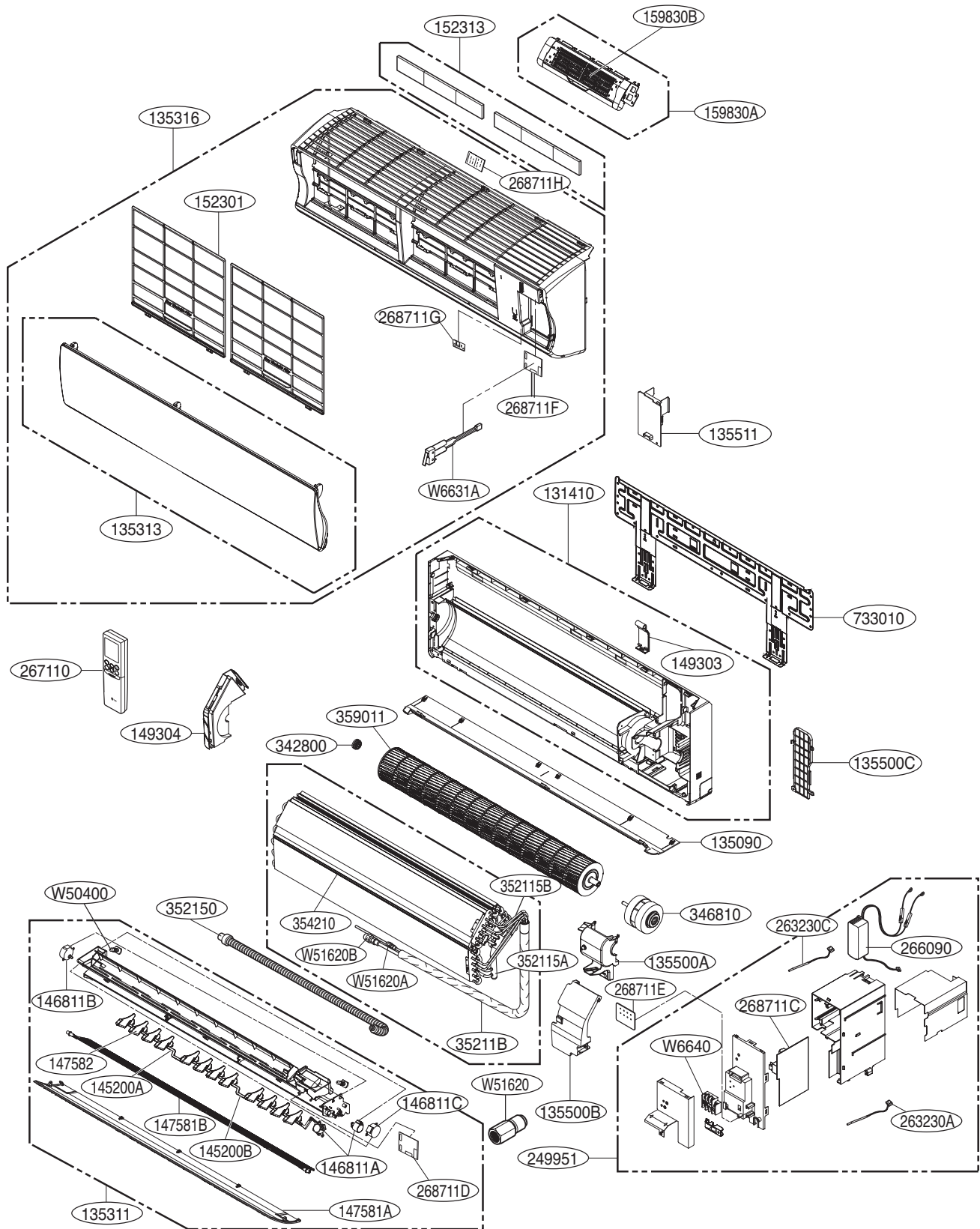
LOC.	Description	PCB Connector
Th1	Thermistor for suction air temperature	CN-TH1(Indoor)
Th2	Thermistor for evaporator inlet temperature	
Th3	Thermistor for evaporator outlet temperature	CN-TH2(Indoor)
Th4	Thermistor for evaporator middle temperature	CN-TH3(Indoor)

3. Wiring Diagrams

Indoor



4. Exploded View



Note) * Please ensure GCSC since the replacement parts may be changed depending upon the buyer's request. Please check the correct parts in View RPL(Replacement Part List) on GCSC. (GCSC Website <http://www.lge.com>)



P/NO : MFL67473906

June, 2016