



Internal Use Only

<http://biz.lgservice.com>

# Multi Air Conditioner

## SVC MANUAL(Exploded View)

**MODEL : A8UW486FA5[UHXM160BA0 U30]  
A9UW566FA5[UHXM170BA0 U30]**

### **CAUTION**

Before Servicing the unit, read the safety precautions in Standard SVC manual.  
Only for authorized service personnel.

# 1. Specification

Outdoor Unit			A8UW486FA5[UHXM160BA0 U30]	A9UW566FA5[UHXM170BA0 U30]
Nominal Capacity (Min~Rated~Max)	Cooling	kW	3.3~15.5~17.0	4.0~16.7~18.52
		Btu/h	11,400~52,800~58,200	13,800~57,000~63,200
	Heating	kW	3.7~16.4~17.29	4.5~17.87~18.75
		Btu/h	12,768~56,000~59,000	15,456~61,000~64,000
Nominal Input (Min~Rated~Max)	Cooling	kW	0.84~4.69~5.35	1.0~4.96~5.65
	Heating	kW	1.30~4.43~5.58	1.25~4.62~5.70
Energy label			A/A	A/A
Testing Combination			MS07AH x 5EA, MS09AH x 3EA	MS09AH x 8EA
Running Current	Cooling	A	3.9~21.1~23.2	4.6~21.7~24.0
	Heating	A	6.9~22.6~25.0	7.4~22.4~26.0
Starting Current	(Cooling/Heating)	A	-	-
Power Supply		Ø / V / Hz	1/220~240/50	1/220~240/50
Power Supply Cable (outdoor)		No.x mm <sup>2</sup>	3 x 4.0	3 x 4.0
Power and transmission cable (outdoor to BD)		No.x mm <sup>2</sup>	4 x 1.25(Including Earth)	4 x 1.25(Including Earth)
Power and transmission cable (BD to indoor)		No.x mm <sup>2</sup>	4 x 0.75(Including Earth)	4 x 0.75(Including Earth)
Dimensions	W*H*D	mm(inch)	950 x 1380 x 330 (37.4 x 54.3 x 12.3)	950 x 1380 x 330 (37.4 x 54.3 x 12.3)
Net Weight		kg(lbs)	108(238.1)	108(238.1)
Max. Number of Connectable Indoor Units			9	9
Compressor (Inverter)	Type		Twin-Rotary	Twin-Rotary
	Qty x Model		GPT425DBA	GPT425DBA
	Motor Type		BLDC	BLDC
	Oil Charge volume	cc	1300	1300
	Oil Type		FVC68D	FVC68D
Refrigerant	Charge (at 5m)	g(oz)	4800(169.3)	4800(169.3)
	Type		R410A	R410A
	Control		EEV	EEV
Heat Exchanger	Rows x Column x FPI		2R x 64C x 17	2R x 64C x 17
	Defrosting Method		Reversing cycle	Reversing cycle
Fan	Capacitor	µF/Vac	-	-
	Drive		DC	DC
	Discharge direction	Side / Top	Side	Side
	Air Flow Rate	CMM(CFM)	60(2,119) x 2	60(2,119) x 2
Noise Level(H/L)	Sound Pressure at 1m	dB(A)±3	59	59
Piping connections	Liquid(Ø)	mm(inch)	9.52(3/8)	9.52(3/8)
	Gas(Ø)	mm(inch)	19.05(3/4)	19.05(3/4)
Max. Interunit Piping Length	Total Piping(Main+Total Branch)	m	135	145
	Main Piping	m	55	55
	Total Branch Piping	m	80	90
	Each Branch Piping	m	15	15
Max. Elevation Difference	Indoor Unit~Outdoor Unit	m	30	30
	Indoor Unit~Indoor Unit	m	15	15

**Note:**

1. Capacities are based on the following conditions:

Cooling: - Indoor Temperature 27°C(80.6°F) DB/19°C(66.2°F) WB  
 - Outdoor Temperature 35°C(95°F) DB/24°C(75.2°F) WB

Heating: - Indoor Temperature 20°C(68°F) DB/15°C(59°F) WB  
 - Outdoor Temperature 7°C(44.6°F) DB/6°C(42.8°F) WB

Piping Length - Interconnecting Piping Length 7.5m  
 - Level Difference of Zero

2. Wiring cable size must comply with the applicable local and national code.

3. The specification may be subject to change without prior notice for purpose of improvement.

**Conversion Formula**

kW = Btu/h x 0.0002931

cfm = CMM x 35.3

## 2. List of Functions

Category	Function	A8UW486FA5[UHXM160BA0 U30] / A9UW566FA5[UHXM170BA0 U30]
Reliability	Defrost / Deicing	O
	High Pressure Switch	X
	Low Pressure Switch	O
	Phase protection	X
	Restart Delay (3-minutes)	O
	Self Diagnosis	O
	Soft Start	O
	Test Function	O
Convenience	Auto Operation(Artificial intelligence)	O
	Auto Restart Operation	O
CAC Network Function	Central control(LGAP)	O
	PDI(Power Distribution Indicator)	PQNUD1S00
	PI485	PMNFP14A0
Special Function Kit	Low Ambient Kit	O(Logic)
Others	Thermistor	-

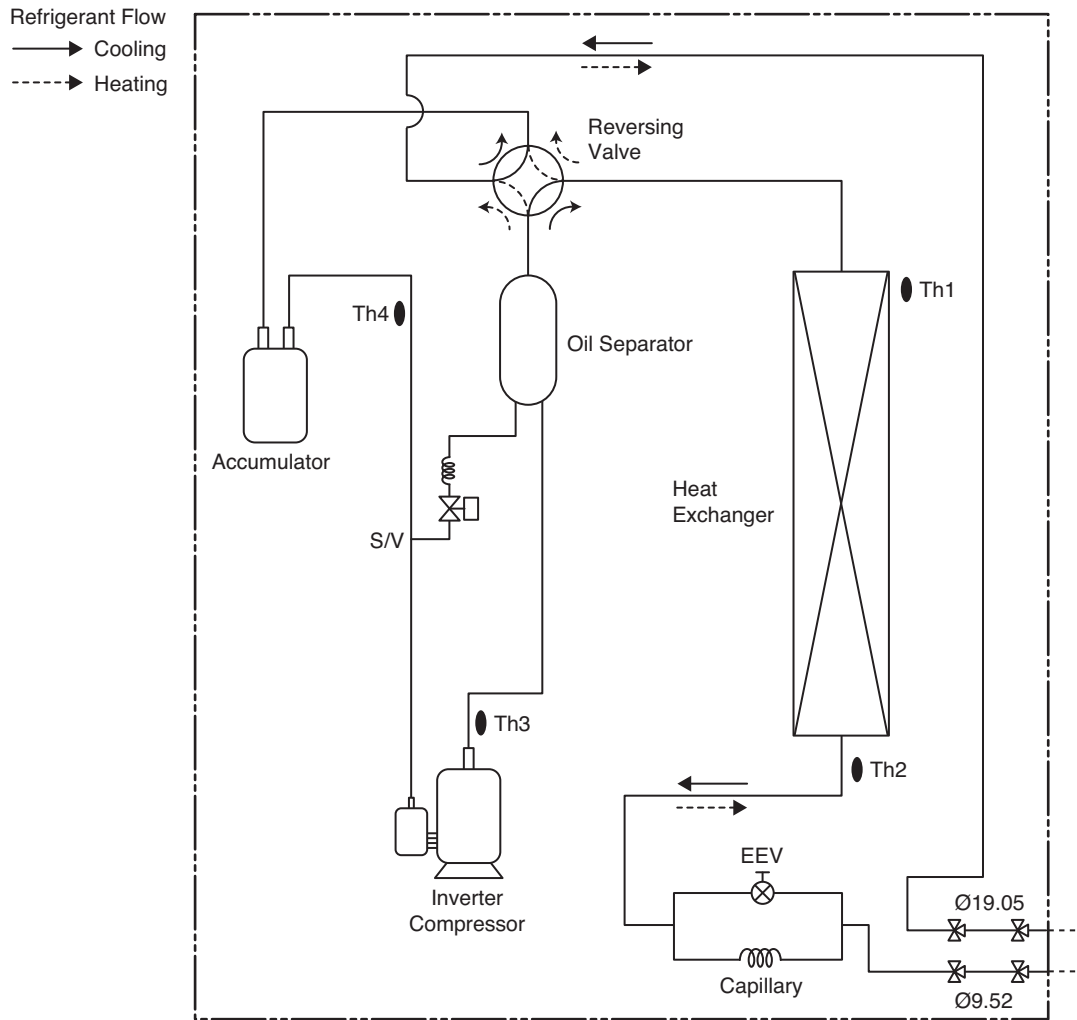
**Note:**

O : Applied, X : Not applied, - : No relation

Option: Model name & price are different according to options, and assembled in factory with main unit.

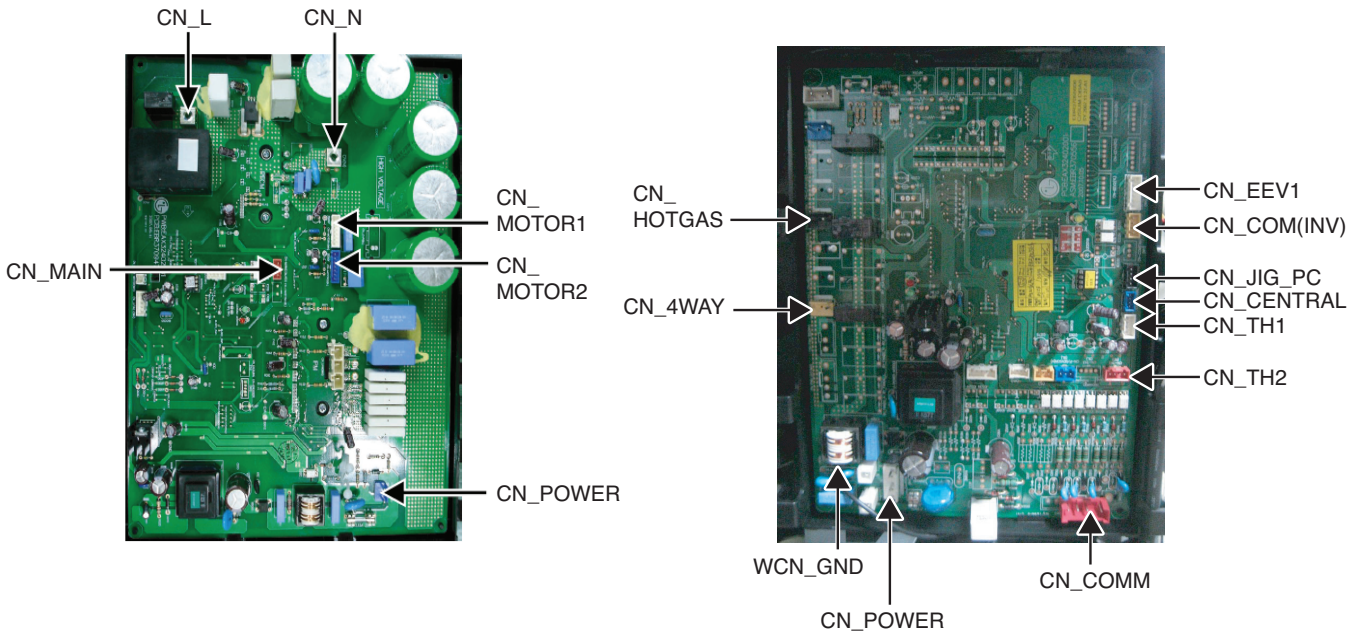
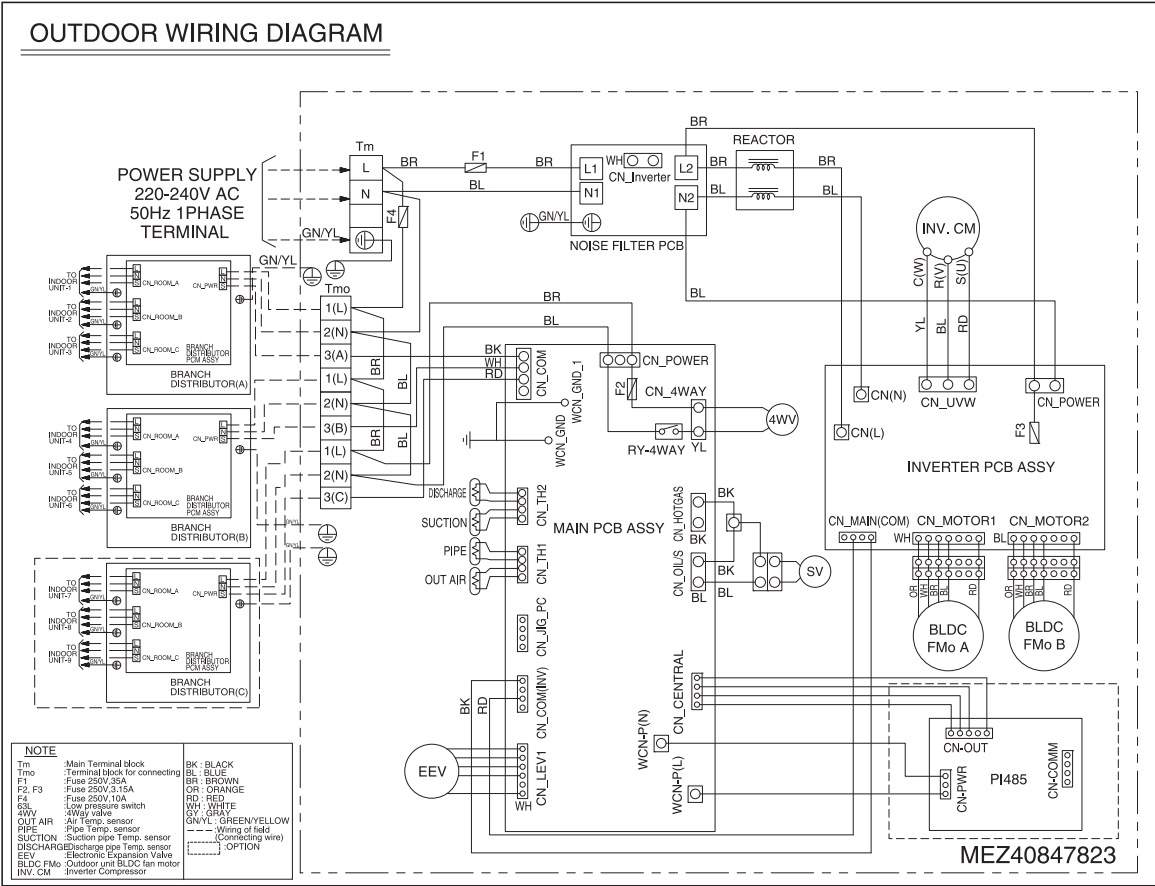
Accessory: Installed at field, ordered and purchased separately by the corresponding model name, supplied with separate package.

### 3. Piping Diagrams

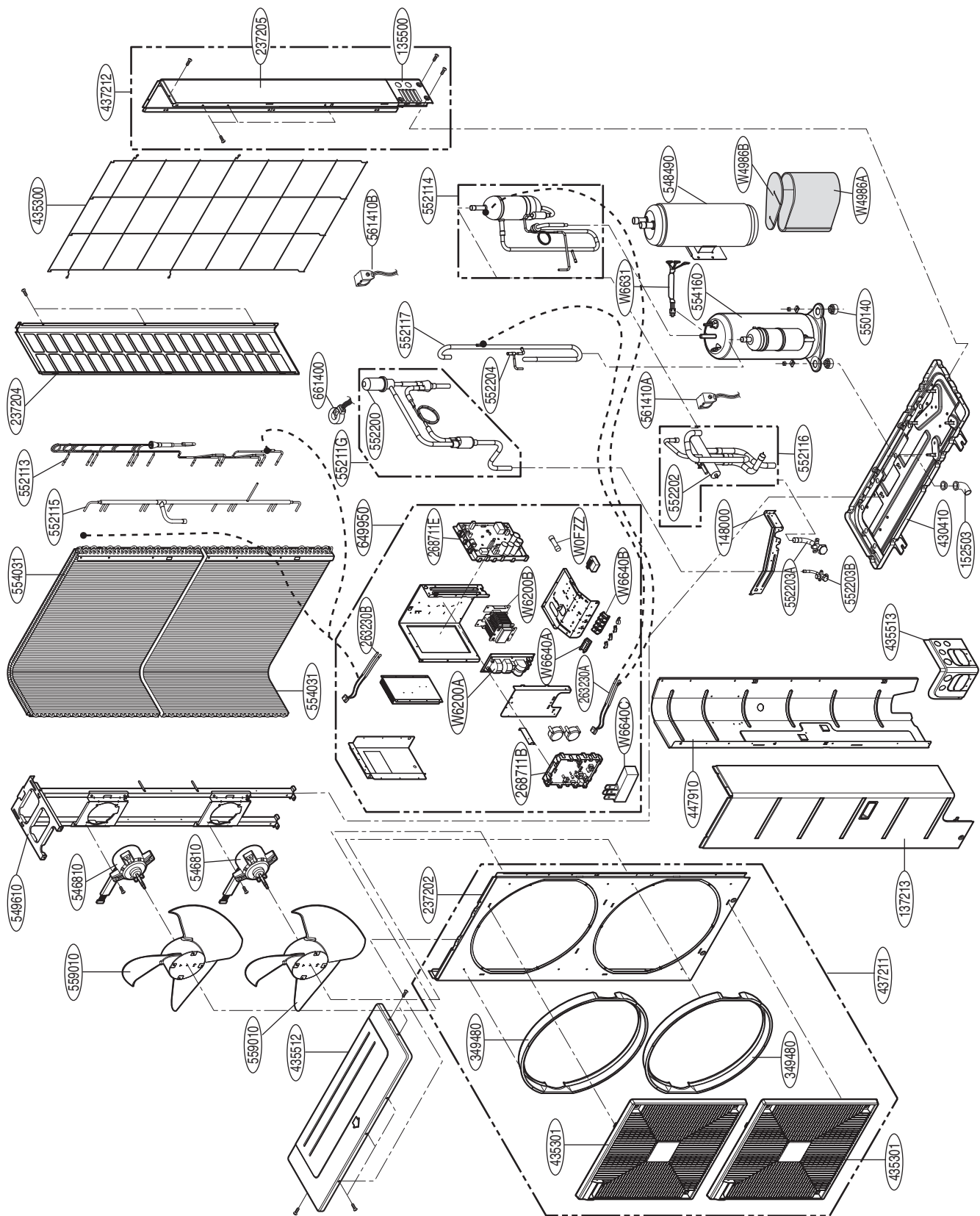


LOC.	Description	PCB Connector
Th1	Thermistor for outdoor air temperature	CN_TH1
Th2	Thermistor for condensing temperature	CN_TH1
Th3	Thermistor for discharge pipe temperature	CN_TH2
Th4	Thermistor for suction pipe temperature	CN_TH2
S/V	Solenoid Valve for Hotgas	CN_HOT GAS

# 4. Wiring Diagrams



# 5. Exploded View



Note) \* Please ensure GCSC since the replacement parts may be changed depending upon the buyer's request. Please check the correct parts in View RPL(Replacement Part List) on GCSC. (GCSC Website <http://biz.Lgservice.com>.)



P/NO : MFL61921717

March,2010