



Internal Use Only

<http://biz.lgservice.com>

LG Air Conditioner

SVC MANUAL(Exploded View)

TYPE: Cassette Air Conditioner

**MODEL : ATNH09GRLE2 [CT09 NR2 / CT09 NR2A0]
ATNH12GRLE2 [CT12 NR2 / CT12 NR2A0]
ATNH18GQLE2 [CT18 NQ2 / CT18 NQ2A0]**

CAUTION

Before Servicing the unit, read the safety precautions in General SVC manual.
Only for authorized service personnel.

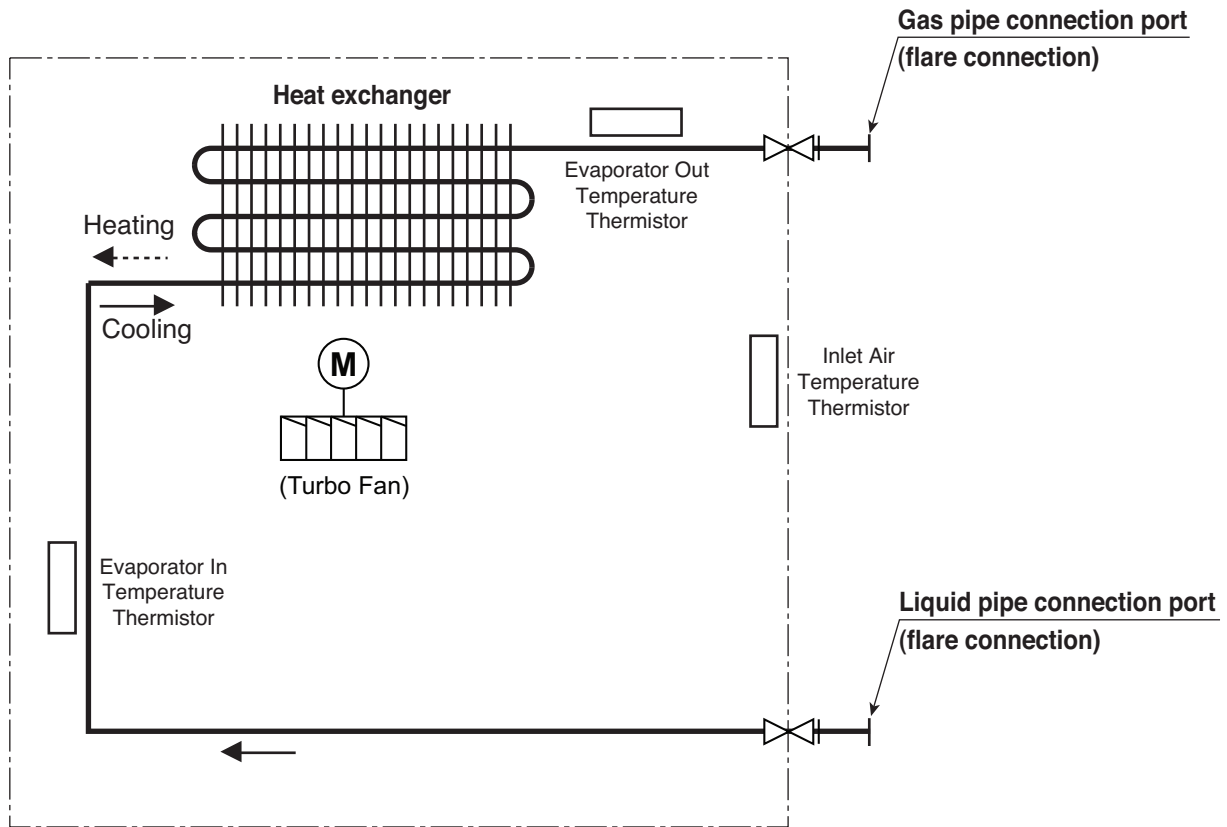
1. Specification

Model Name				ATNH09GRLE2 [CT09 NR2 / CT09 NR2A0]	ATNH12GRLE2 [CT12 NR2 / CT12 NR2A0]	ATNH18GQLE2 [CT18 NQ2 / CT18 NQ2A0]
Power Supply			V / Ø / Hz	220-240 / 1 / 50	220-240 / 1 / 50	220-240 / 1 / 50
Casing Color			-	-	-	-
Dimensions	Body	W x H x D	mm	214 x 570 x 570	214 x 570 x 570	256 x 570 x 570
		W x H x D	inch	8-7/16 x 22-7/16 x 22-7/16	8-7/16 x 22-7/16 x 22-7/16	10-3/32 x 22-7/16 x 22-7/16
Net Weight	Body		kg (lbs)	13.2 (29.1)	13.2 (29.1)	14.5 (32.0)
Heat Exchanger	#1_(Row x Column x Fins perinch) x No.		-	(1 x 8 x 18) x 1	(1 x 8 x 18) x 1	(1 x 10 x 18) x 1
	#2_(Row x Column x Fins perinch) x No.		m ² (ft ²)	(1 x 8 x 18) x 1	(1 x 8 x 18) x 1	(1 x 10 x 18) x 1
	Face Area		m ² (ft ²)	0.168(1.81)	0.168(1.81)	0.21 (2.26)
Fan	Type		-	Turbo Fan	Turbo Fan	Turbo Fan
	Air Flow Rate	H / M / L	m ³ /min	8.5 / 7.0 / 6.0	9.5 / 8.0 / 7.0	13.0 / 12.0 / 11.0
		H / M / L	ft ³ /min	300 / 247 / 212	336 / 283 / 247	459 / 424 / 388
	Type		-	BLDC	BLDC	BLDC
	Output		W x No.	40 x 1	40 x 1	60 x 1
Power Input		W x No.	-	-	-	
Fan Motor	Running Current		A	0.30 x 1	0.30 x 1	0.30 x 1
Sound Pressure Level	H / M / L		dB(A)	36 / 33 / 30	38 / 35 / 32	41 / 39 / 36
Sound Power Level	Cooling	H / M / L		dB(A)	-	-
Piping Connections	Liquid		mm(inch)	Ø 6.35 (1/4)	Ø 6.35 (1/4)	Ø 6.35 (1/4)
	Gas		mm(inch)	Ø 9.52 (3/8)	Ø 9.52 (3/8)	Ø 12.7 (1/2)
	Drain (O.D. / I.D.)		mm	Ø35.5 / 31.5	Ø35.5 / 31.5	Ø35.5 / 31.5
Safety Devices			-	Fuse	Fuse	Fuse
Power and Communication Cable (included Earth)			No. x mm ² (AWG)	4C x 0.75 (18)	4C x 0.75 (18)	4C x 0.75 (18)
Decoration Panel	Model Name		-	PT-UQC	PT-UQC	PT-UQC
	Casing Color		-	Morning Fog	Morning Fog	Morning Fog
	Dimensions	W x H x D	mm	22 x 700 x 700	22 x 700 x 700	22 x 700 x 700
		W x H x D	inch	7/8 x 27-9/16 x 27-9/16	7/8 x 27-9/16 x 27-9/16	7/8 x 27-9/16 x 27-9/16
Net weight		kg (lbs)	3 (6.6)	3 (6.6)	3 (6.6)	

Note :

- All data are based on the following conditions:
 - Cooling Temperature : Indoor 27°C(80.6°F) DB / 19°C(66.2°F) WB
Outdoor 35°C(95°F) DB / 24°C(75.2°F) WB
 - Heating Temperature : Indoor 20°C(68°F) DB / 15°C(59°F) WB
Outdoor 7°C(44.6°F) DB / 6°C(42.8°F) WB
 - Piping Length : Interconnected Pipe Length = 7.5m
 - Difference Limit of Elevation (Outdoor ~ Indoor Unit) is Zero.
- Wiring cable size must comply with the applicable local and national code.
- Due to our policy of innovation some specifications may be changed without notification.
- Sound Level Values are measured at Anechoic chamber.
Therefore, these values can be increased (maximum 3dB(A)) owing to ambient conditions during operation.

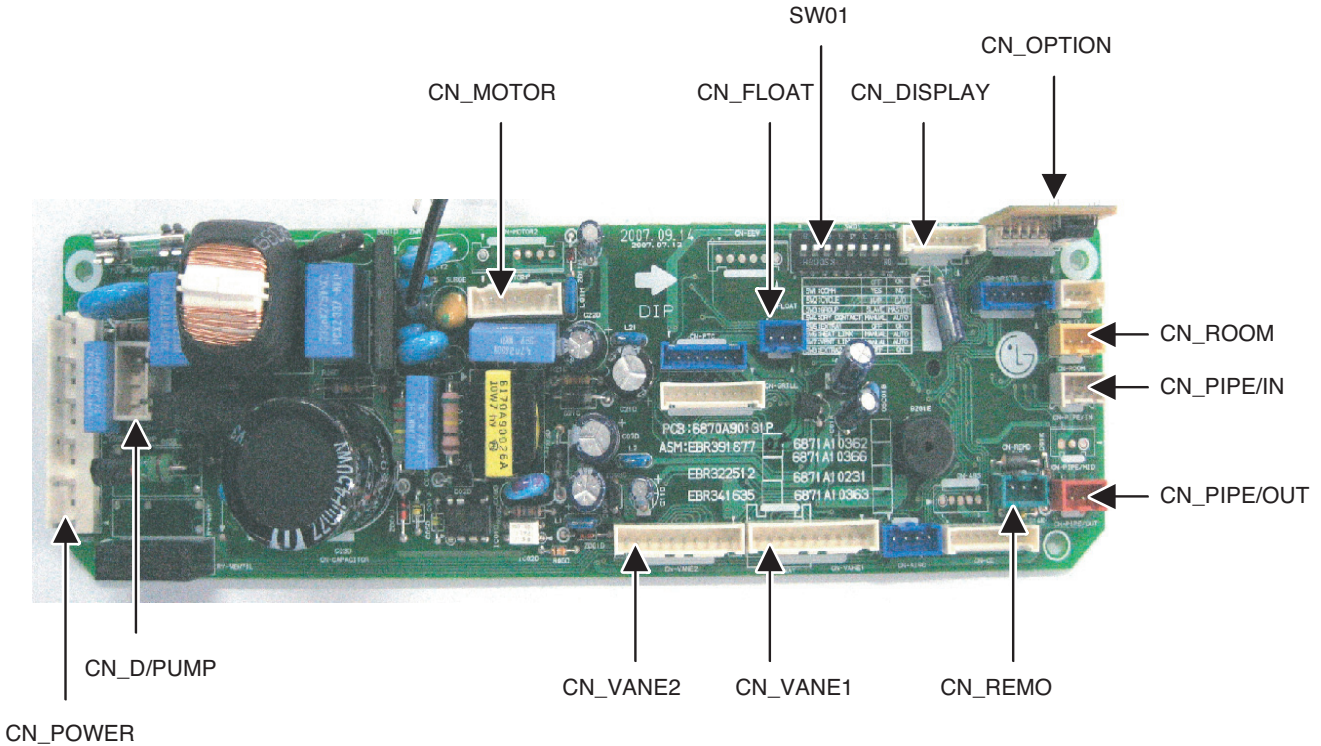
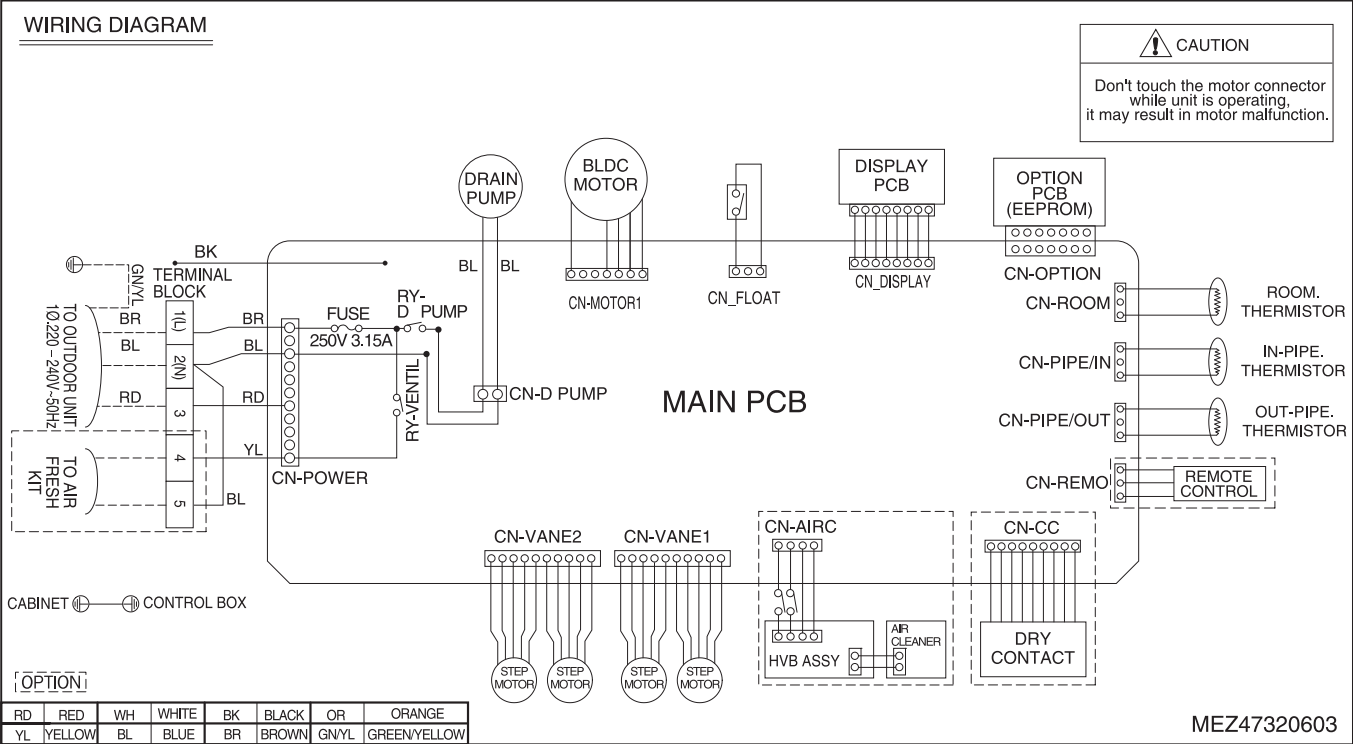
2. Piping Diagrams



Description	PCB Connector
Inlet Air Temperature Thermistor	CN-ROOM
Evaporator In Temperature Thermistor	CN-PIPE/IN
Evaporator Out Temperature Thermistor	CN-PIPE/OUT

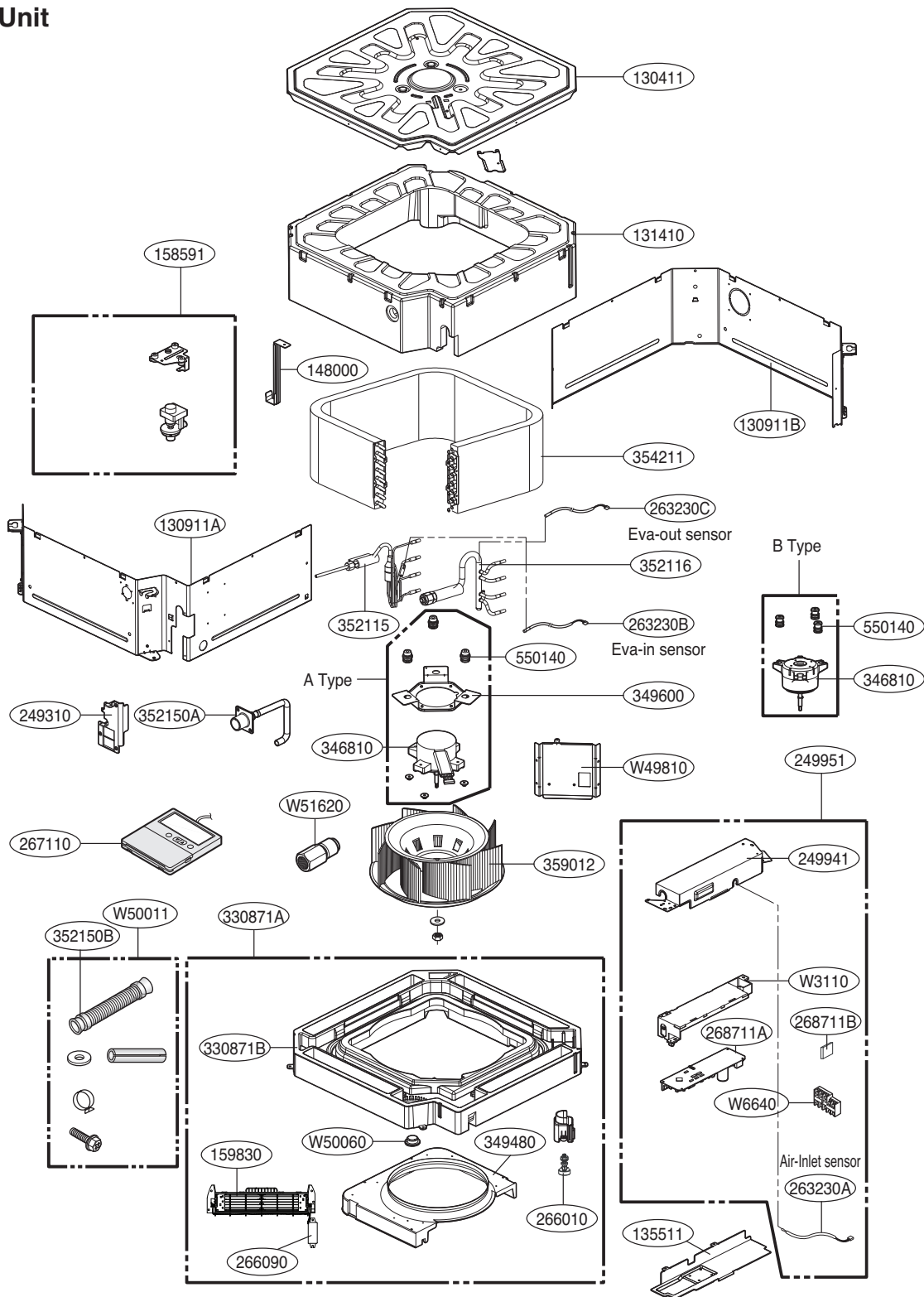
3. Wiring Diagrams

Indoor Unit



5. Exploded View

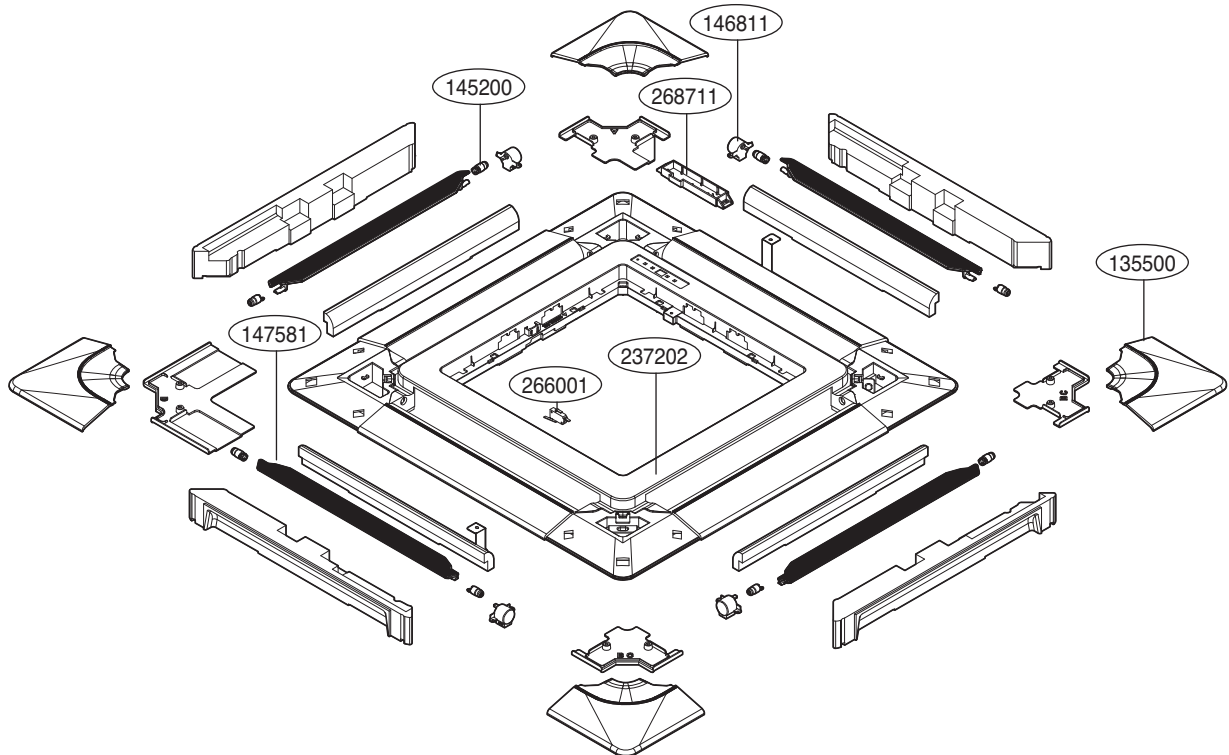
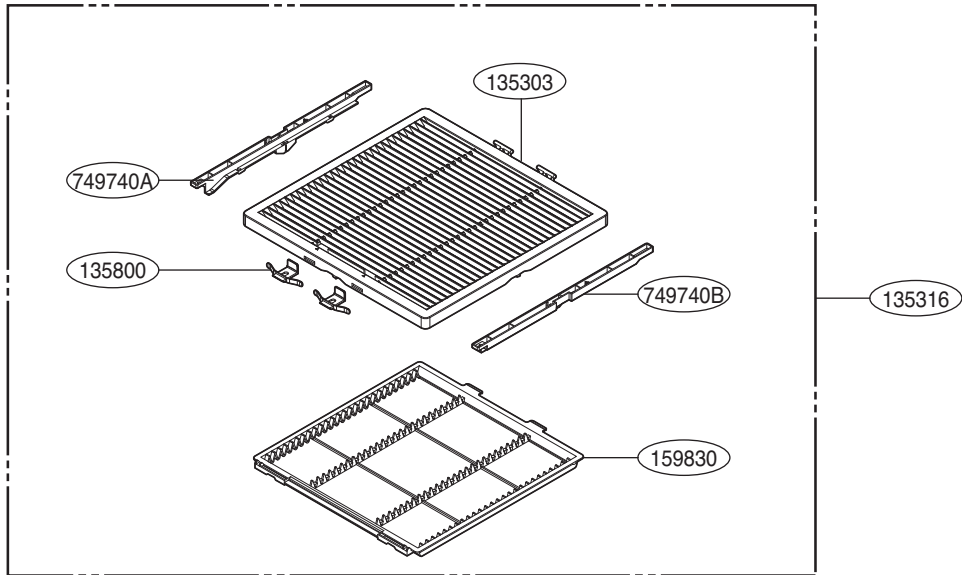
Indoor Unit



Location No.	Description	Sensor Information	Housing Color
263230A	Thermistor1(CN_ROOM)	Air-Inlet	Orange
263230B	Thermistor2(CN_PIPE/IN)	Eva-in	White
263230C	Thermistor3(CN_PIPE/OUT)	Eva-out	Red

Front Panel (Accessory)

• Model : PT-UQC





P/NO : MFL67523107

November, 2014