



Internal Use Only

<http://www.lge.com>

# Room Air Conditioner

## **SVC MANUAL(Exploded View)**

**MODEL : AJNW30GVLA0 [UJ30 NV2R0]  
AJNW36GVLA0 [UJ36 NV2R0]**

### **CAUTION**

Before Servicing the unit, read the safety precautions in General SVC manual.  
Only for authorized service personnel.

# 1. Specification

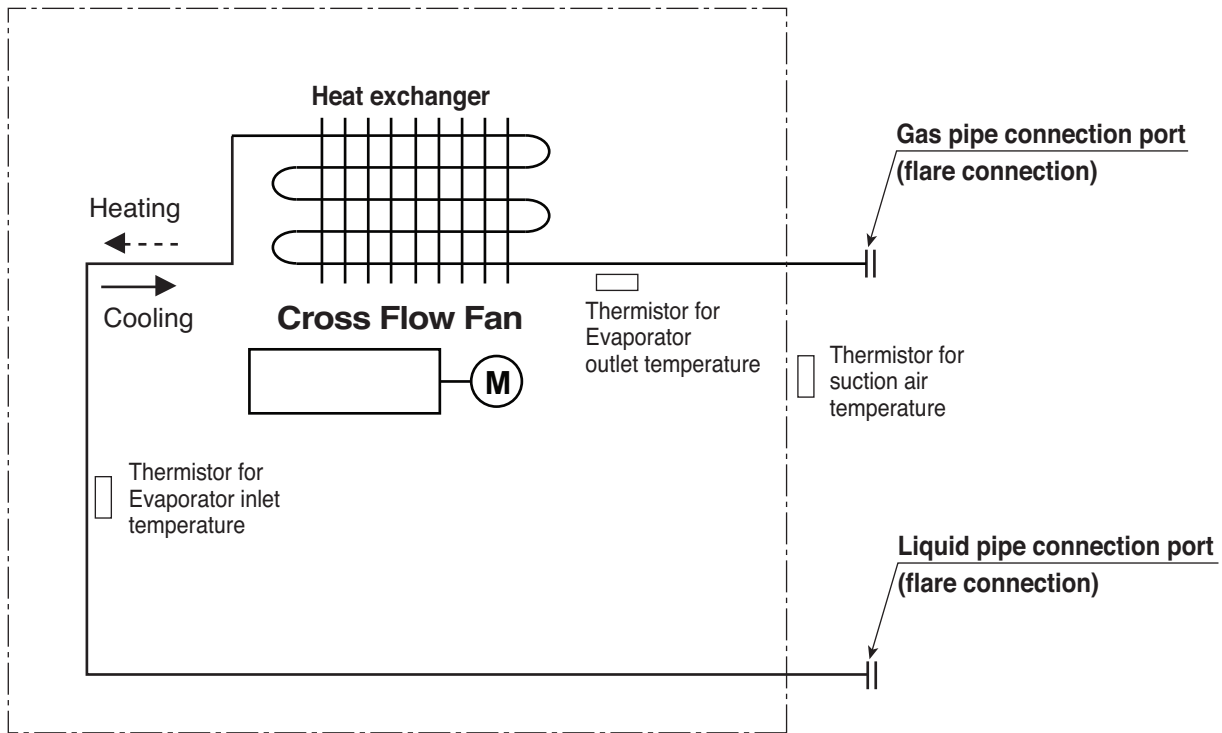
## Indoor

Model Name			AJNW30GVLAO [UJ30 NV2R0]	AJNW36GVLAO [UJ36 NV2R0]
Power Supply		V, Ø, Hz	220-240, 1, 50 220, 1, 60	220-240, 1, 50 220, 1, 60
Power Input	Min/Nom/Max	W x No.	50 / 100 / 140	60 / 120 / 160
Running Current		A	0.5	0.6
Casing Color		-	-	-
Dimensions	Body	W x H x D	mm	1,190 x 346 x 265
		W x H x D	inch	46.8 x 13.6 x 10.4
Net Weight	Body	kg (lbs)	15.7(34.6)	16.0(35.3)
Heat Exchanger	1# (Row x Column x Fins per inch) x No.		-	(2 x 18 x 19) x 1
	2# (Row x Column x Fins per inch) x No.		-	(1 x 6 x 19) x 1
	Face Area		m <sup>2</sup> (ft <sup>2</sup> )	0.34(3.63)
Fan	Type		-	Cross Flow Fan
	Air Flow Rate	H / M / L	m <sup>3</sup> /min	23.0 / 20.0 / 17.0
		H / M / L	ft <sup>3</sup> /min	812 / 706 / 600
Fan Motor	Type		-	BLDC
	Output		W x No.	82.1 x 1
Sound Pressure Level		H / M / L	dB(A)	45 / 42 / 40
Sound Power Level		Max.	dB(A)	61
Piping Connections	Liquid		mm(inch)	Ø 9.52 (3/8)
	Gas		mm(inch)	Ø 15.88 (5/8)
	Drain (O.D. / I.D.)		mm	Ø 21.5 / 16.0
Safety Devices		-	Fuse	Fuse
		-	Thermal Protector for Fan Motor	Thermal Protector for Fan Motor
Power and Communication Cable (included Earth)		No. x mm <sup>2</sup> (AWG)	4C x 0.75 (18)	4C x 0.75 (18)

### Notes :

1. Wiring cable size must comply with the applicable local and national code.
2. Due to our policy of innovation some specifications may be changed without notification.
3. Sound Level Values are measured at Anechoic chamber.  
Therefore, these values can be increased owing to ambient conditions during operation.

## 2. Piping Diagrams



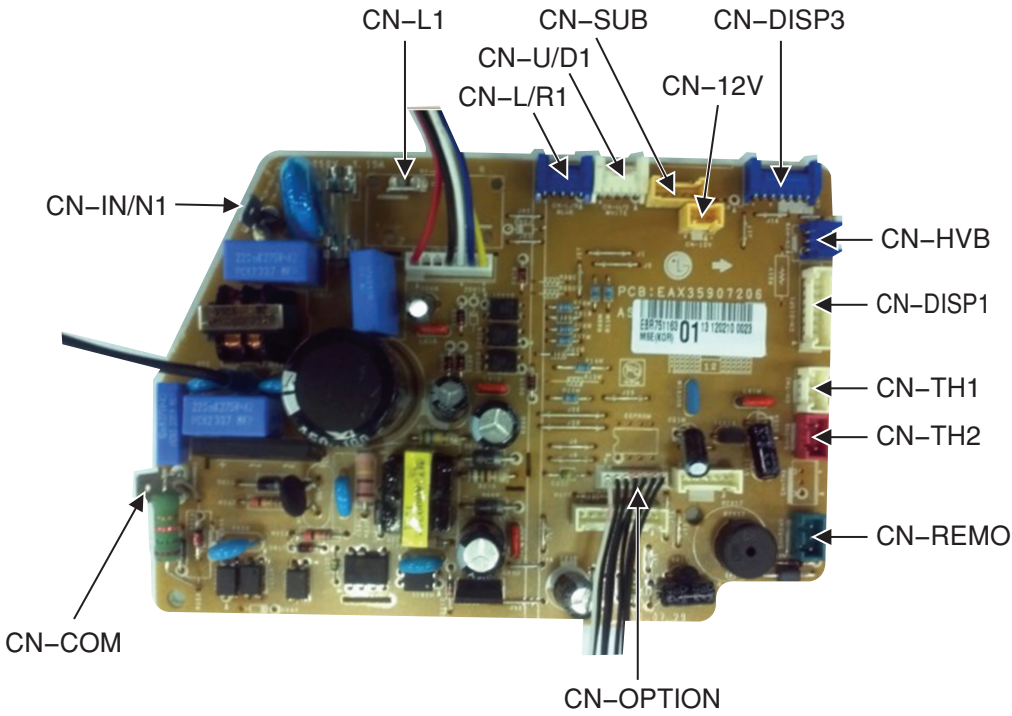
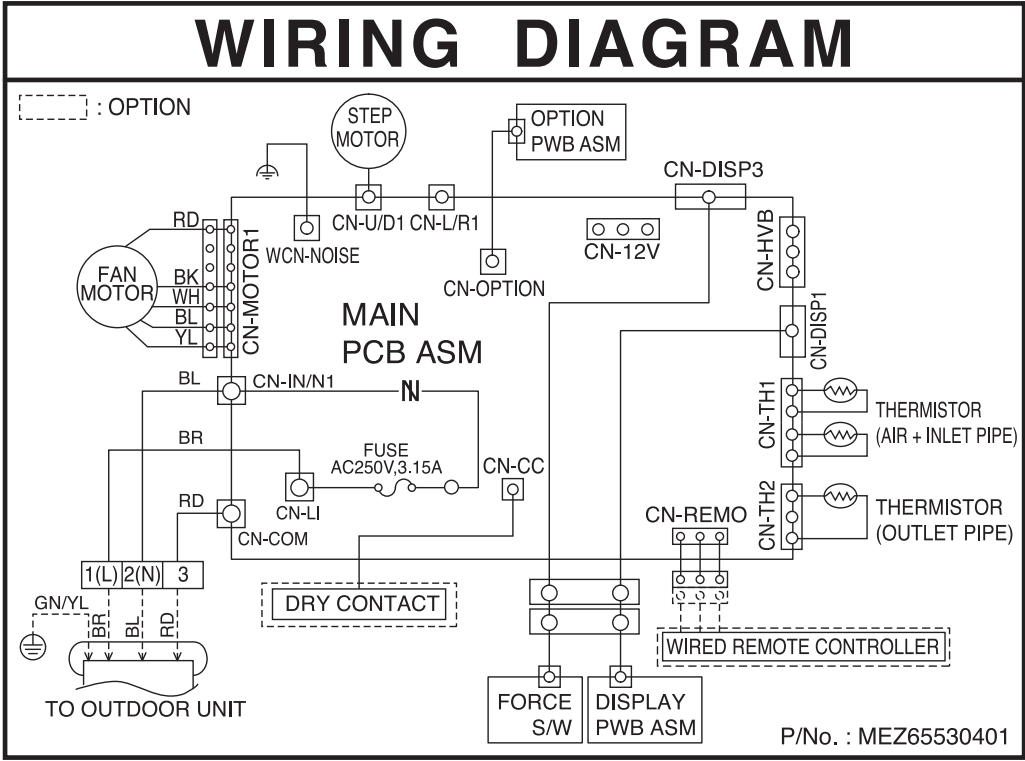
Description	PCB Connector
Thermistor for suction air temperature	CN-TH1
Thermistor for evaporator inlet temperature	
Thermistor for evaporator outlet temperature	CN-TH2

### ■ Refrigerant pipe connection port diameters

[Unit : mm/inch]

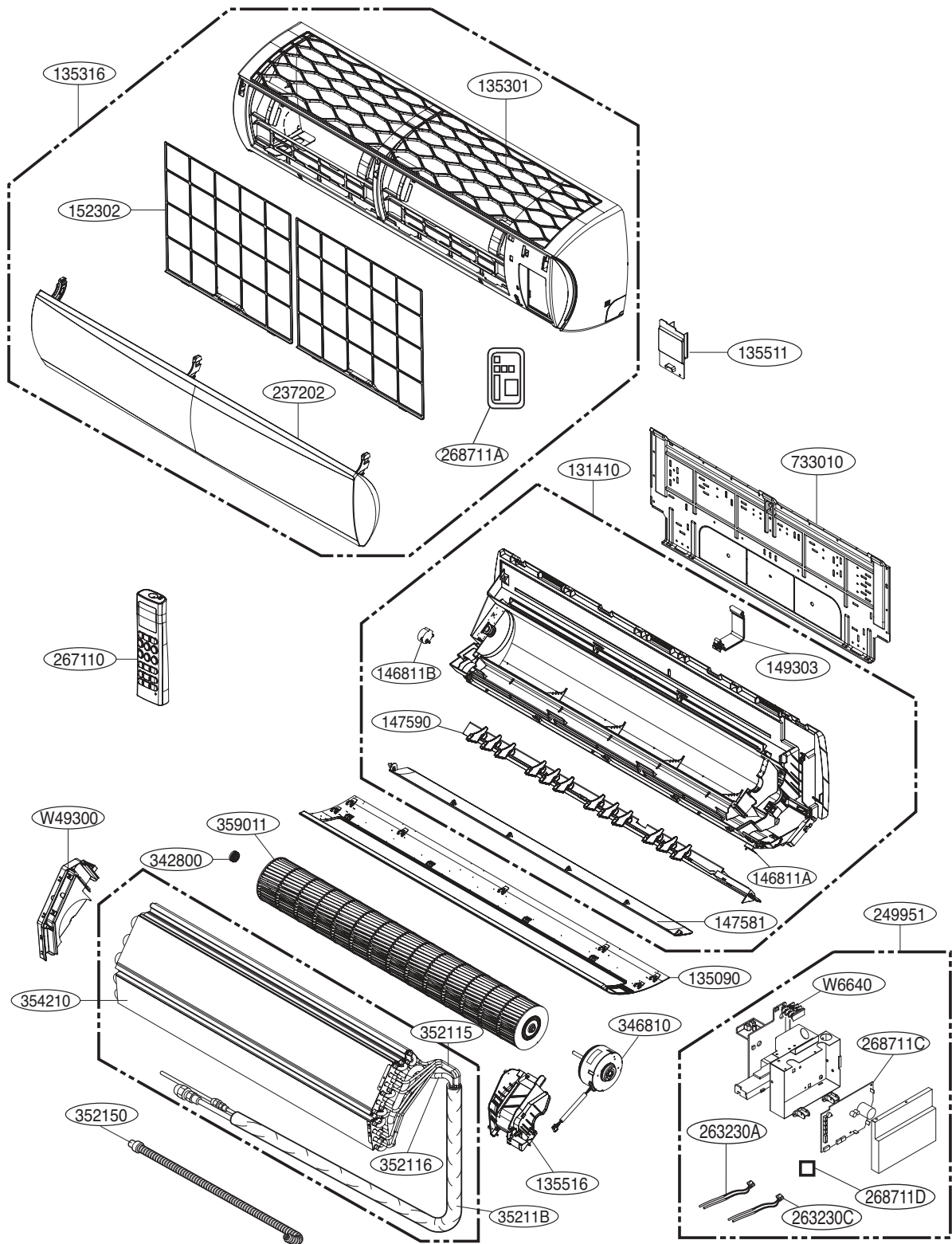
Model	Gas	Liquid
AJNW30GVLA0 [UJ30 NV2R0] AJNW36GVLA0 [UJ36 NV2R0]	Ø 15.88 (5/8)	Ø 9.52 (3/8)

# 3. Wiring Diagrams



**Main PCB**

# 4. Exploded View



Note) \* Please ensure GCSC since the replacement parts may be changed depending upon the buyer's request. Please check the correct parts in View RPL(Replacement Part List) on GCSC. (GCSC Website <http://www.lge.com>)



P/NO : MFL67482736

August, 2015