



Internal Use Only

<http://biz.lgservice.com>

Multi Air Conditioner

SVC MANUAL(Exploded View)

MODEL : A8UW486FA3[FM48AH U33]

CAUTION

Before Servicing the unit, read the safety precautions in Standard SVC manual.
Only for authorized service personnel.

1. Specification

Outdoor Unit			A8UW486FA3[FM48AH U33]
Nominal Capacity (Min~Rated~Max)	Cooling	kW	3.3~15.47~17.0
		Btu/h	11400~52800~58000
	Heating	kW	3.7~16.41~17.29
		Btu/h	12768~56,000~59,000
Nominal Input (Min~Rated~Max)	Cooling	kW	0.84~4.69~5.35
	Heating	kW	1.30~4.43~5.58
Energy label			A/A
Testing Combination			MS07AH N40 * 5EA / MS09AH N40 * 3EA
Running Current	Cooling	A	3.9~21.1~23.2
	Heating	A	6.9~22.6~25
Starting Current	(Cooling/Heating)	A	
Power Supply	Ø / V / Hz		1/220~240/50
Power Supply Cable (outdoor)	No.x mm ²		3*4.0
Power and transmission cable (outdoor to BD)	No.x mm ²		4*1.25(Including Earth)
Power and transmission cable (BD to indoor)	No.x mm ²		4*0.75(Including Earth)
Dimensions	W*H*D	mm(inch)	950*1380*330 (37.4*54.3*12.3)
Net Weight			108(238.1)
Max. Number of Connectable Indoor Units			8
Compressor (Inverter)	Type	Twin-Rotary	
	Qty x Model	5JD420Z	
	Motor Type	BLDC	
	Oil Charge volume	cc	1300
	Oil Type	FV50S	
Refrigerant	Charge (at 5m)	g(oz)	4800(169.3)
	Type	R410A	
	Control	EEV	
Heat Exchanger	Rows x Column x FPI	2R X 64C X 17	
	Defrosting Method	Reversing cycle	
Fan	Capacitor	µF/Vac	
	Drive	Direct Drive	
	Discharge direction	Side / Top	Side
	Air Flow Rate	CMM(CFM)	60(2,119) X 2
Noise Level(H/L)	Sound Pressure at 1m	dB(A)±3	58
Piping connections	Liquid(Ø)	mm(inch)	9.52(3/8)
	Gas(Ø)	mm(inch)	19.05(3/4)
Max. Interunit Piping Length	Total Piping(Main+Total Branch)	m	135
	Main Piping	m	55
	Total Branch Piping	m	80
	Each Branch Piping	m	15
Max. Elevation Difference	Indoor Unit~Outdoor Unit	m	30
	Indoor Unit~Indoor Unit	m	15

Note:

1. Capacities are based on the following conditions:

Cooling: - Indoor Temperature 27°C(80.6°F) DB/19°C(66.2°F) WB
 - Outdoor Temperature 35°C(95°F) DB/24°C(75.2°F) WB

Heating: - Indoor Temperature 20°C(68°F) DB/15°C(59°F) WB
 - Outdoor Temperature 7°C(44.6°F) DB/6°C(42.8°F) WB

Piping Length - Interconnecting Piping Length 7.5m
 - Level Difference of Zero

2. Wiring cable size must comply with the applicable local and national code.

3. The specification may be subject to change without prior notice for purpose of improvement.

Conversion Formula

kW = Btu/h x 0.0002931
 cfm = CMM x 35.3

2. List of Functions

Category	Function	A8UW486FA3[FM48AH U33]
Reliability	Defrost / Deicing	O
	High Pressure Switch	X
	Low Pressure Switch	O
	Phase protection	X
	Restart Delay (3-minutes)	O
	Self Diagnosis	O
	Soft Start	O
	Test Function	X
Convenience	Auto Operation(Artificial intelligence)	O
	Auto Restart Operation	O
CAC Network Function	Central control(LGAP)	O
	PDI(Power Distribution Indicator)	PQNUD1S00
	PI485	PMNFP14A0
Special Function Kit	Low Ambient Kit	O(Logic)
Others	Thermistor	-

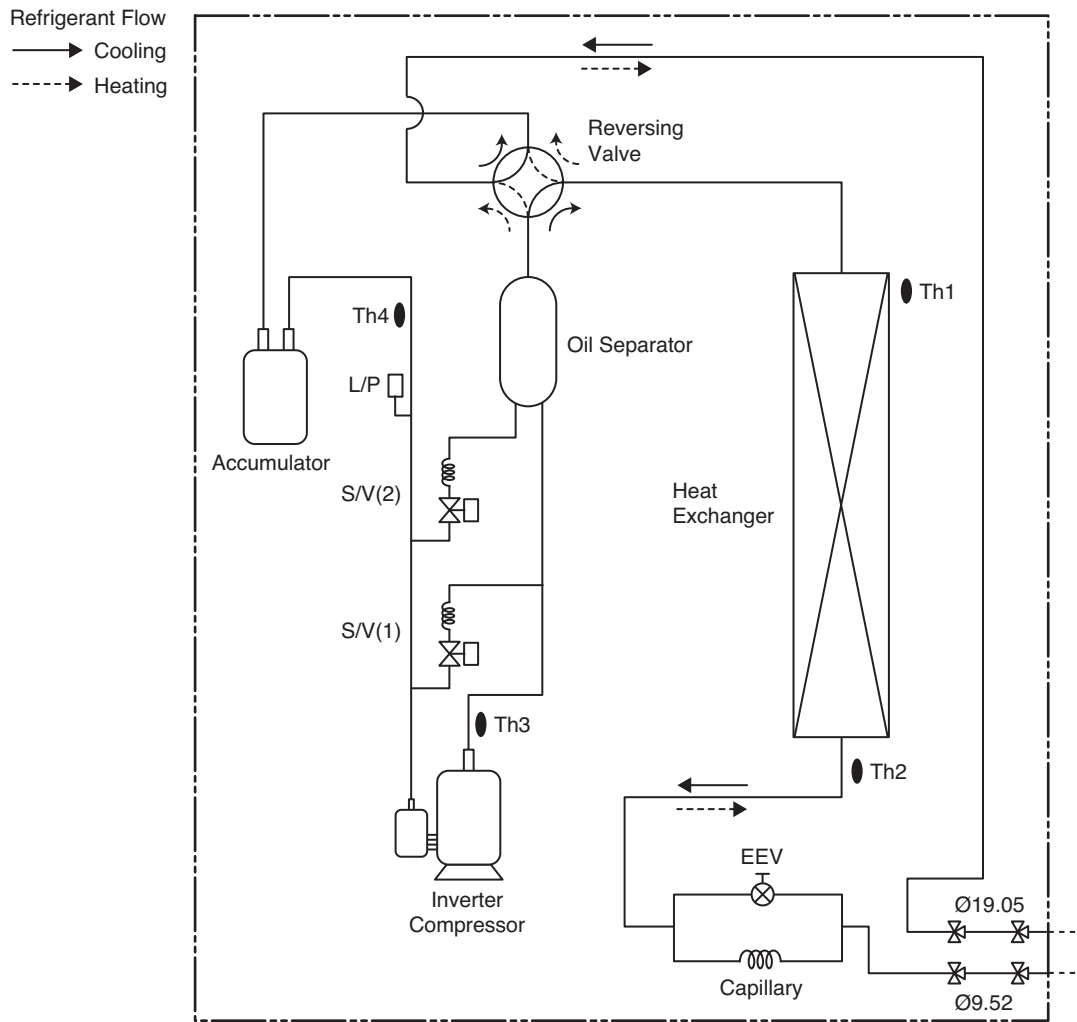
Note :

O : Applied, X : Not applied, - : No relation

Option: Model name & price are different according to options, and assembled in factory with main unit.

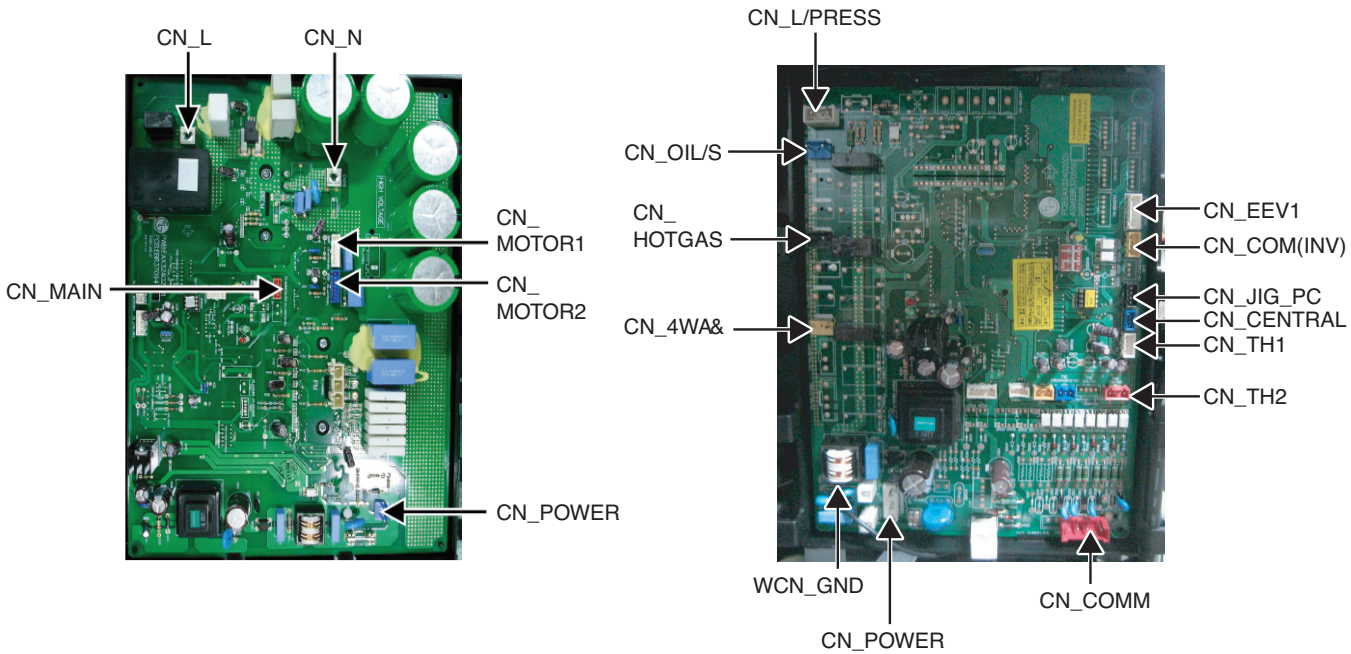
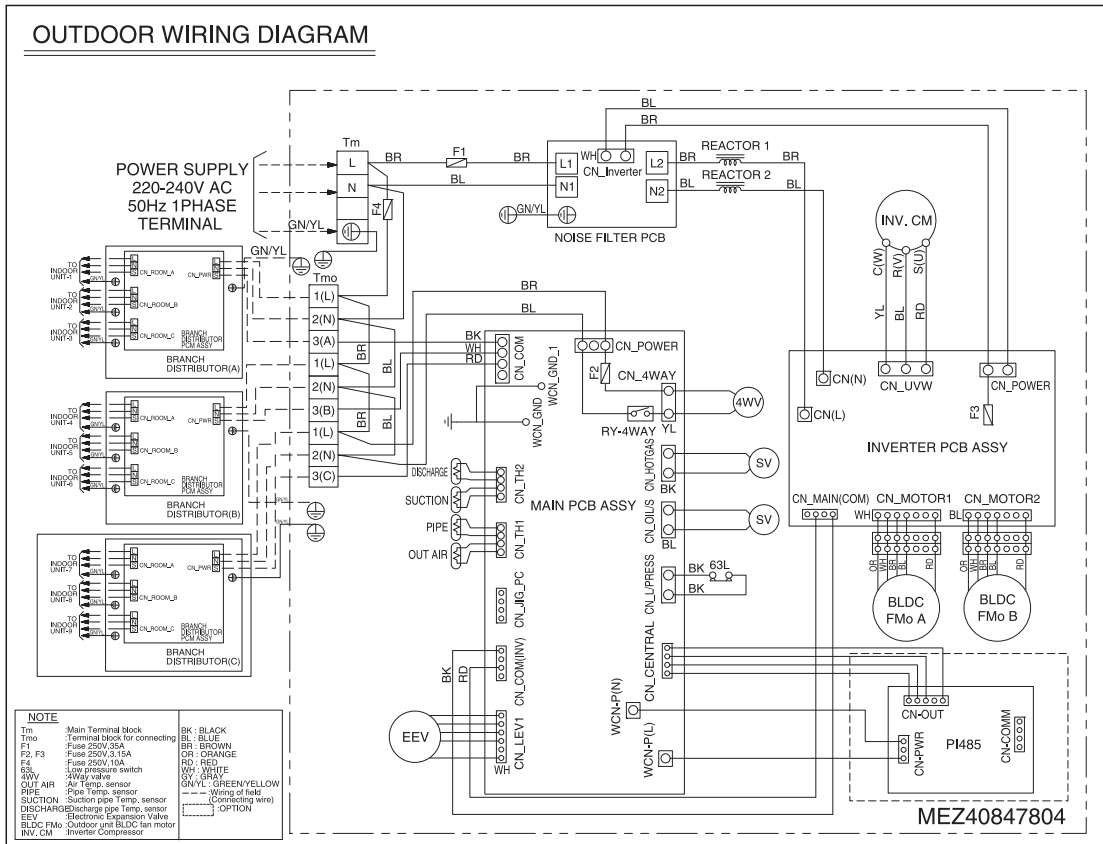
Accessory: Installed at field, ordered and purchased separately by the corresponding model name, supplied with separate package.

3. Piping Diagrams

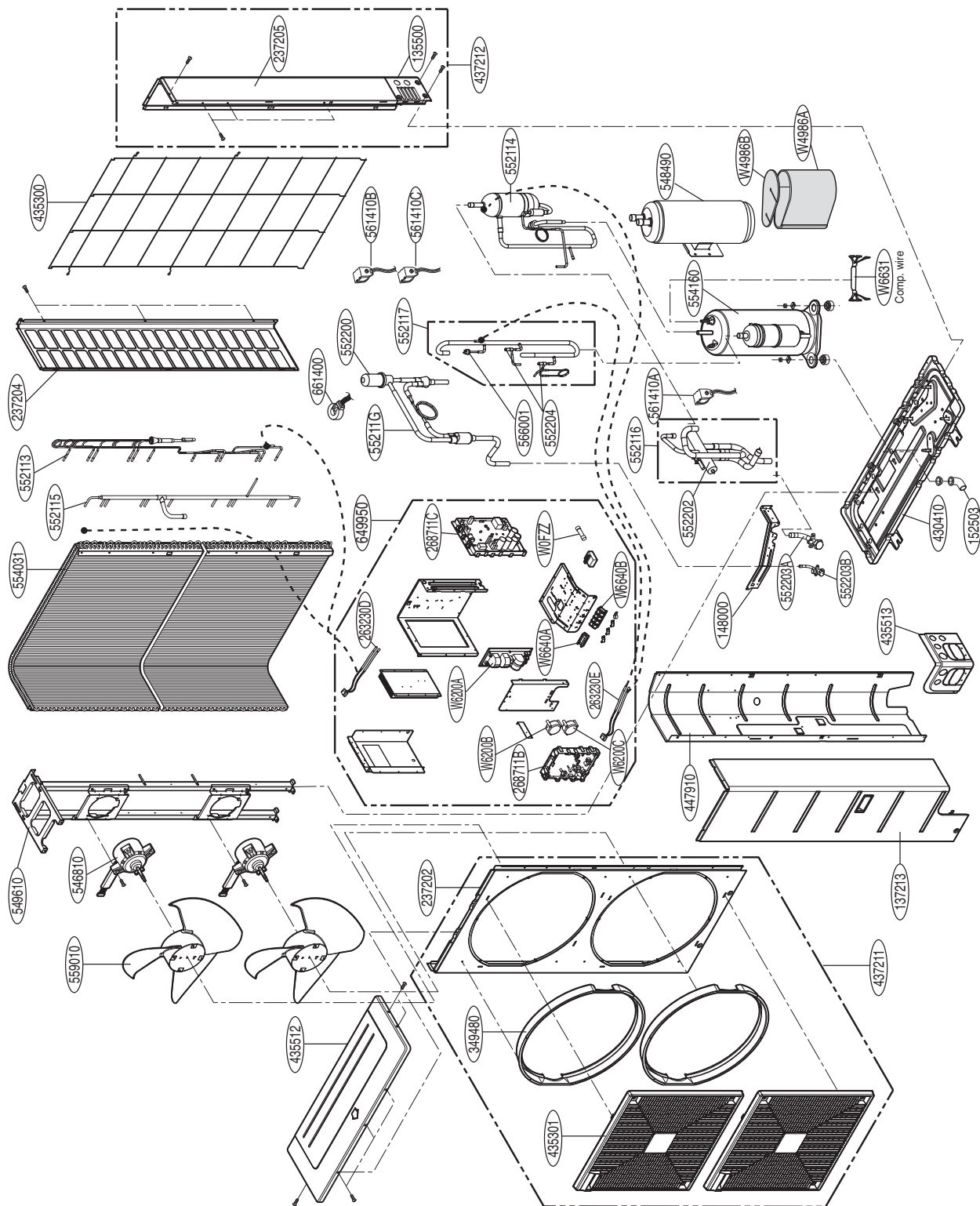


LOC.	Description	PCB Connector
Th1	Thermistor for outdoor air temperature	CN_TH1
Th2	Thermistor for condensing temperature	CN_TH1
Th3	Thermistor for discharge pipe temperature	CN_TH2
Th4	Thermistor for suction pipe temperature	CN_TH2
S/V(1)	Solenoid Valve for Hotgas	CN_HOT GAS
S/V(2)	Solenoid Valve for Oil Separator	CN_OIL/S
L/P	Low Pressure Switch	CN_L/PRESS

4. Wiring Diagrams



5. Exploded View



Note) * Please ensure GCSC since the replacement parts may be changed depending upon the buyer's request. Please check the correct parts in View RPL(Replacement Part List) on GCSC. (GCSC Website <http://biz.lgservice.com>.)



P/NO : MFL37468319

January, 2010