



LG Air Conditioner

SVC MANUAL(Exploded View)

Type : Ceiling Suspended Air conditioner

MODEL : UVNH42GLLA2
UVNH48GLLA2
UVNH60GLLA2

CAUTION

Before Servicing the unit, read the safety precautions in General SVC manual.
Only for authorized service personnel.

1. Specification

Indoor

Model Name			UVNH42GLLA2 [UV42 NL2]	UVNH48GLLA2 [UV48 NL2]	UVNH60GLLA2 [UV60 NL2]	
Power Supply			V / Ø / Hz	220-240 / 1 / 50	220-240 / 1 / 50	220-240 / 1 / 50
Casing Color			-	Morning Fog	Morning Fog	Morning Fog
Dimensions	Body	W x H x D	mm	650 x 1,750 x 220	650 x 1,750 x 220	650 x 1,750 x 220
		W x H x D	inch	25-19/32 x 68-29/32 x 8-21/32	25-19/32 x 68-29/32 x 8-21/32	25-19/32 x 68-29/32 x 8-21/32
Net Weight	Body		kg (lbs)	42.5 (93.7)	42.5 (93.7)	42.1 (92.8)
Heat Exchanger	(Row x Column x Fins per inch) x No.		-	(3 x 14 x 17) x 1	(3 x 14 x 17) x 1	(3 x 14 x 17) x 1
	Face Area		m ² (ft ²)	0.882 (9.49)	0.882 (9.49)	0.882 (9.49)
Fan	Type		-	Cross flow Fan	Turbo Fan	Cross flow Fan
	Air Flow Rate	H / M / L	m ³ /min	28.6 / 26.9 / 25.2	30.0 / 28.3 / 26.6	31.5 / 29.7 / 28.0
		H / M / L	ft ³ /min	1,010 / 950 / 890	1,060 / 999 / 939	1,112 / 1,049 / 989
Fan Motor	Type		-	BLDC	BLDC	BLDC
	Output		W x No.	43.1 x 2	43.1 x 2	43.1 x 2
	Power Input		W x No.	-	-	-
	Running Current		A	0.90 x 2	0.90 x 2	0.90 x 2
Dehumidification Rate			l/h (pts/h)	4.5 (9.6)	5.8 (12.3)	6.2 (13.2)
Sound Pressure Level	H / M / L		dB(A)	46 / 44 / 43	47 / 46 / 44	48 / 47 / 45
Sound Power Level	H / M / L		dB(A)	-	-	-
Piping	Liquid		mm(inch)	Ø 9.52 (3/8)	Ø 9.52 (3/8)	Ø 9.52 (3/8)
Connections	Gas		mm(inch)	Ø 15.88 (5/8)	Ø 15.88 (5/8)	Ø 15.88 (5/8)
	Drain (O.D. / I.D.)		mm	Ø 32.0 / 25.5	Ø 32.0 / 25.5	Ø 32.0 / 25.5
Safety Devices			-	Fuse	Fuse	Fuse
Power and Communication Cable (included Earth)			No. x mm ² (AWG)	4C x 0.75 (18)	4C x 0.75 (18)	4C x 0.75 (18)
Decoration Panel	Model Name		-	-	-	-
	Casing Color		-	-	-	-
	Dimensions	W x H x D	mm	-	-	-
		W x H x D	inch	-	-	-
	Net weight		kg (lbs)	-	-	-

Note:

1. All data are based on the following conditions:

- Cooling Temperature : Indoor 27°C(80.6°F) DB / 19°C(66.2°F) WB
Outdoor 35°C(95°F) DB / 24°C(75.2°F) WB
- Heating Temperature : Indoor 20°C(68°F) DB / 15°C(59°F) WB
Outdoor 7°C(44.6°F) DB / 6°C(42.8°F) WB
- Piping Length : Interconnected Pipe Length = 7.5m
- Difference Limit of Elevation (Outdoor ~ Indoor Unit) is Zero.

2. Wiring cable size must comply with the applicable local and national code.

3. Due to our policy of innovation some specifications may be changed without notification.

4. Sound Level Values are measured at Anechoic chamber.

Therefore, these values can be increased(maximum 3dB(A)) owing to ambient conditions during operation.

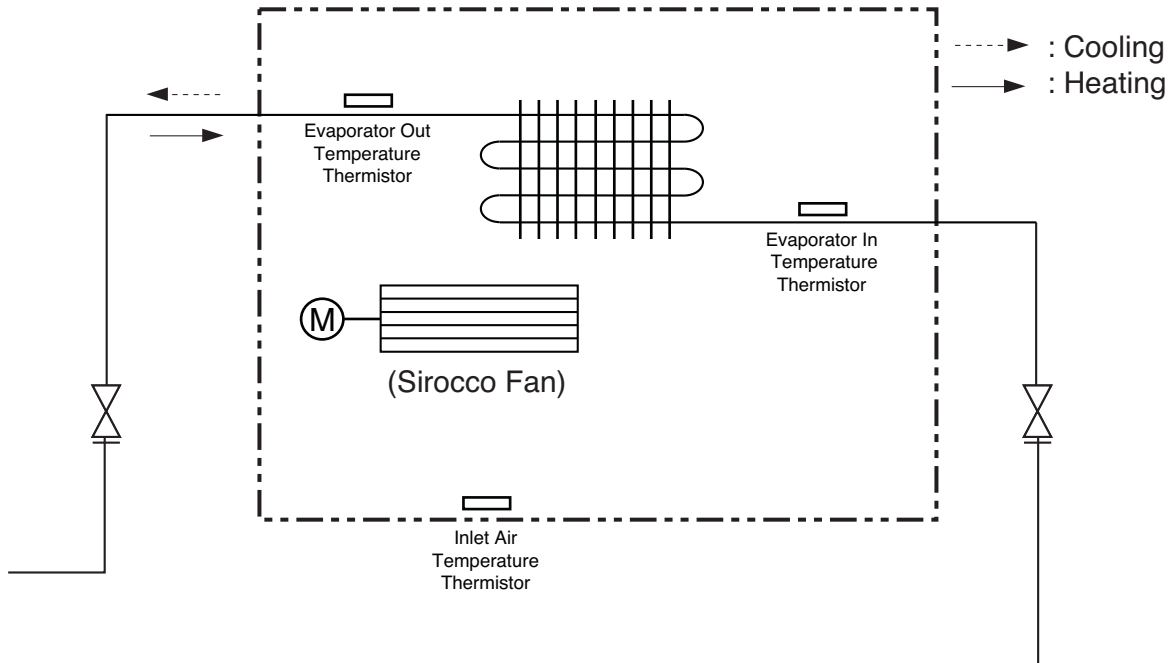
Conversion Formula

$$kW = Btu/h \times 0.0002931$$

$$cfm = CMM \times 35.3$$

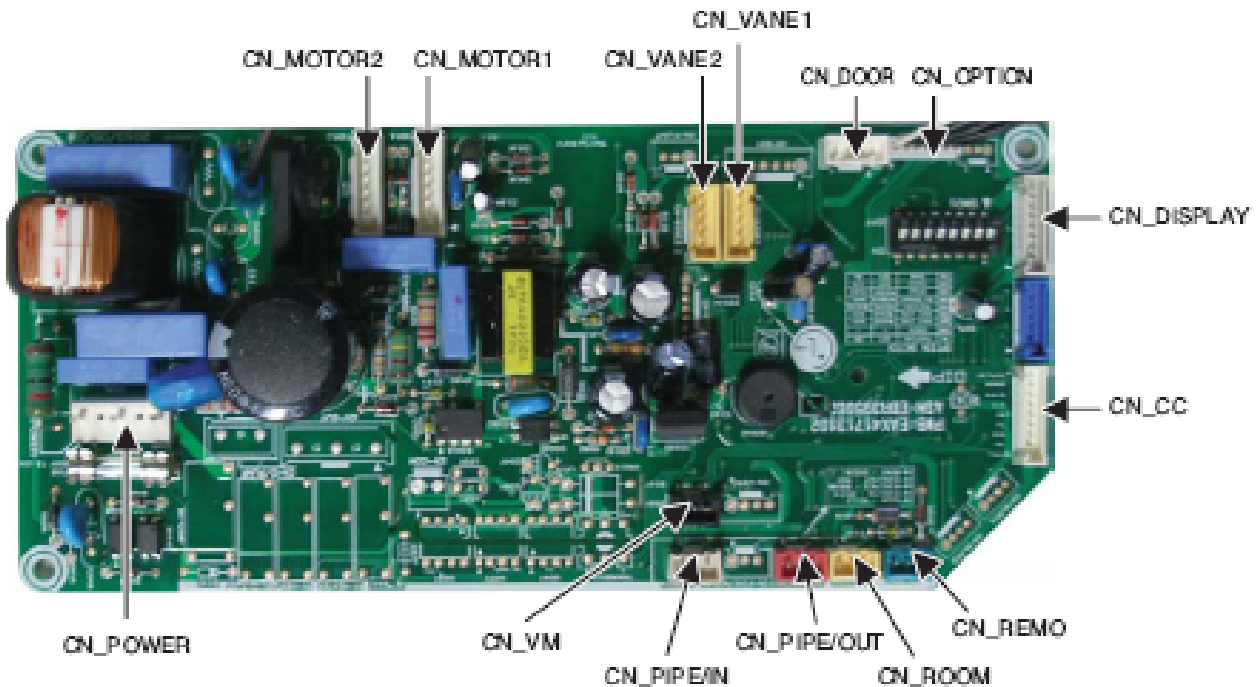
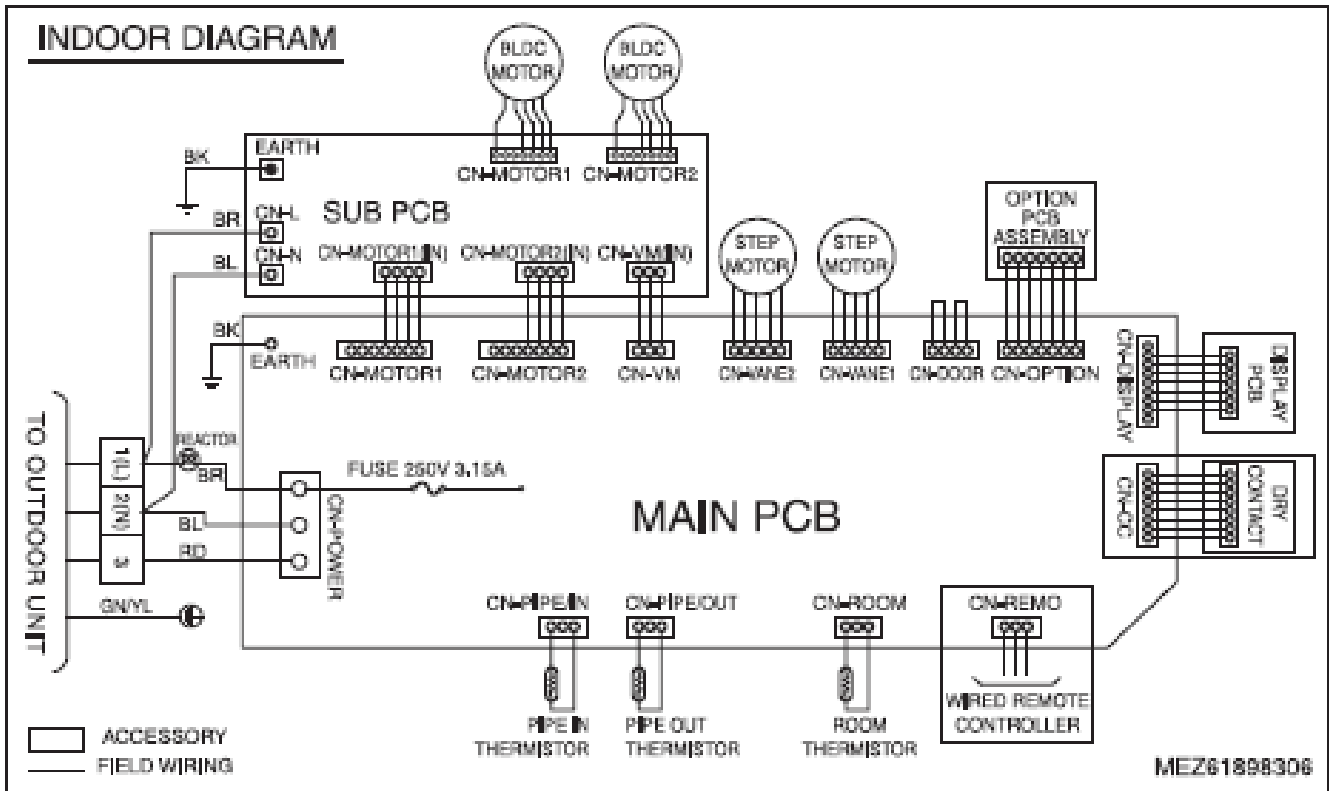
2. Piping Diagrams

Indoor Unit



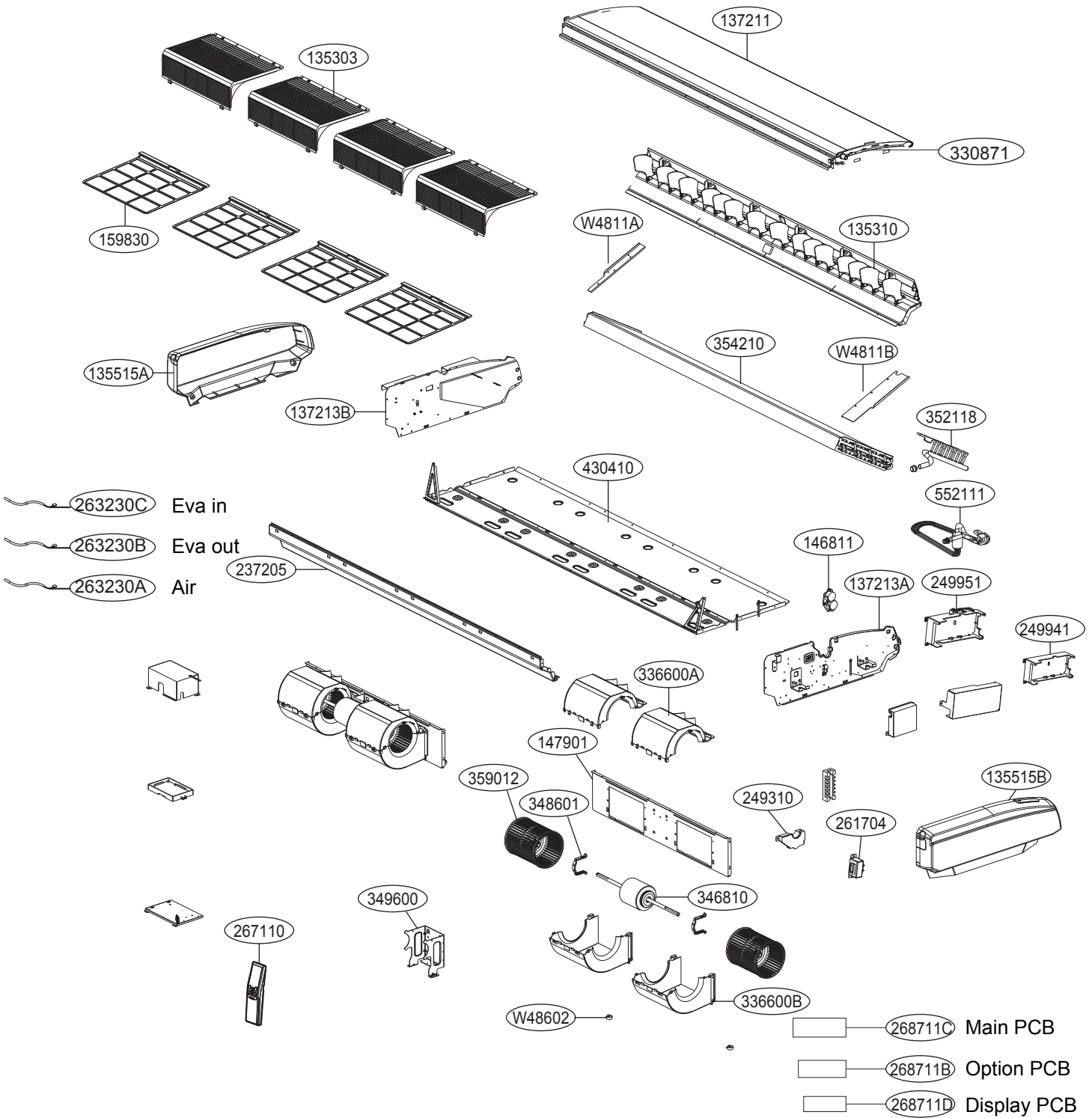
Description	PCB Connector
Inlet Air Temperature Thermistor	CN-ROOM
Evaporator In Temperature Thermistor	CN-PIPE/IN
Evaporator Out Temperature Thermistor	CN-PIPE/OUT

3. Wiring Diagrams



4. Exploded View

Indoor Unit





P/NO : MFL67523103

February, 2012