



Internal Use Only

<http://biz.lgservice.com>

Room Air Conditioner

SVC MANUAL(Exploded View)

**MODEL : AMNW09GEBA0 [MS09SQ NB0]
AMNW12GEBA0 [MS12SQ NB0]
AMNW15GEBA0 [MS15SQ NB0]**

CAUTION

Before Servicing the unit, read the safety precautions in General SVC manual.
Only for authorized service personnel.

1. Specification

Indoor

| Model | | | AMNW09GEBA0 [MS09SQ NB0] | AMNW12GEBA0 [MS12SQ NB0] | AMNW15GEBA0 [MS15SQ NB0] |
|--------------------------|-----------------------|----------|---|---|---|
| Power supply | Ø/V/Hz | | 1/ 220~240/ 50 | 1/ 220~240/ 50 | 1/ 220~240/ 50 |
| Current | A | | 0.2 | 0.2 | 0.2 |
| Fan | Motor type | | BLDC | BLDC | BLDC |
| | Fan type | | Cross Flow Fan | Cross Flow Fan | Cross Flow Fan |
| Dimensions (W x H x D) | mm(inch) | | 895 x 289 x 215 (35-1/4 x 11-3/8 x 8-15/32) | 895 x 289 x 215 (35-1/4 x 11-3/8 x 8-15/32) | 895 x 289 x 215 (35-1/4 x 11-3/8 x 8-15/32) |
| Piping connections | Liquid | mm(inch) | 6.35 (1/4) | 6.35 (1/4) | 6.35 (1/4) |
| | Gas | mm(inch) | 9.52 (3/8) | 9.52 (3/8) | 9.52 (3/8) |
| Refrigerant control | | | EEV(in Outdoor unit or BD) | EEV(in Outdoor unit or BD) | EEV(in Outdoor unit or BD) |
| Power&transmission cable | No. x mm ² | | 4 x 0.75 | 4 x 0.75 | 4 x 0.75 |

Note:

1. Capacities are based on the following conditions:

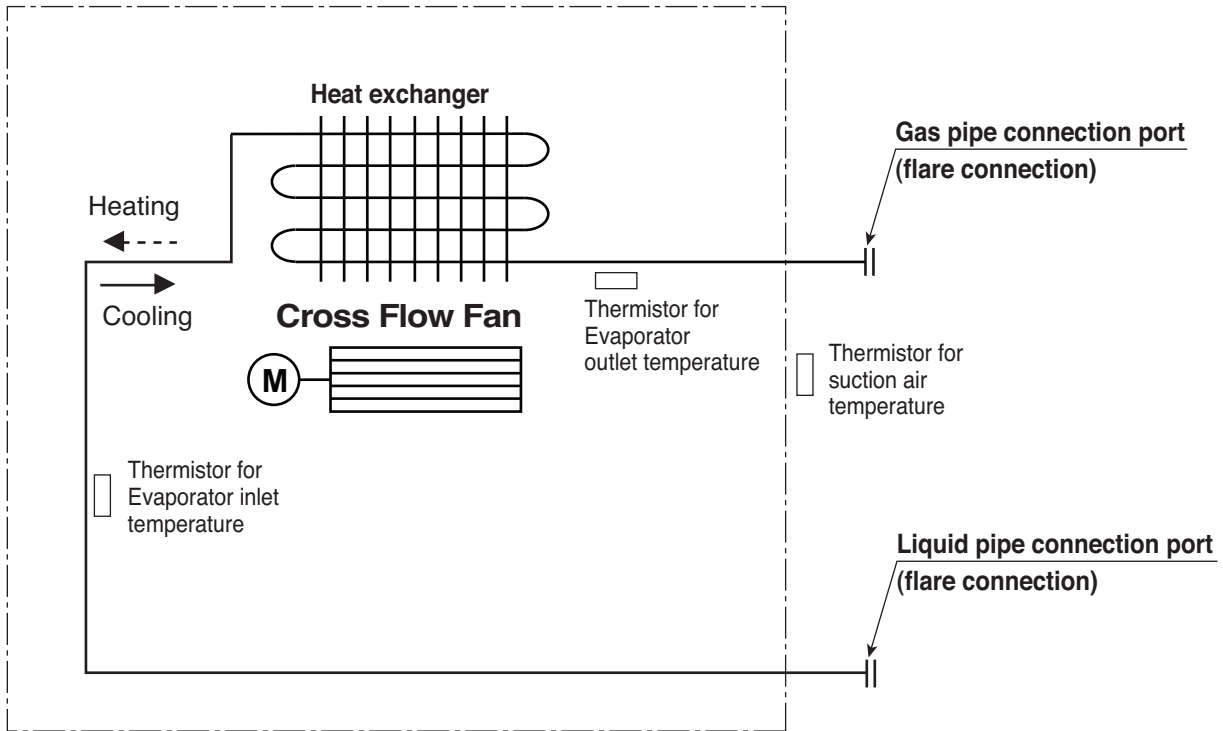
- Cooling: - Indoor Temperature 27°C(80.6°F) DB/19°C(66.2°F) WB
- Outdoor Temperature 35°C(95°F) DB/24°C(75.2°F) WB
- Heating: - Indoor Temperature 20°C(68°F) DB/15°C(59°F) WB
- Outdoor Temperature 7°C(44.6°F) DB/6°C(42.8°F) WB
- Piping Length - Interconnecting Piping Length 7.5m
- Level Difference of Zero

2. Wiring cable size must comply with the applicable local and national code.

3. The specification may be subject to change without prior notice for purpose of improvement.

| Conversion Formula |
|------------------------|
| kW = Btu/h x 0.0002931 |
| cfm = CMM x 35.3 |

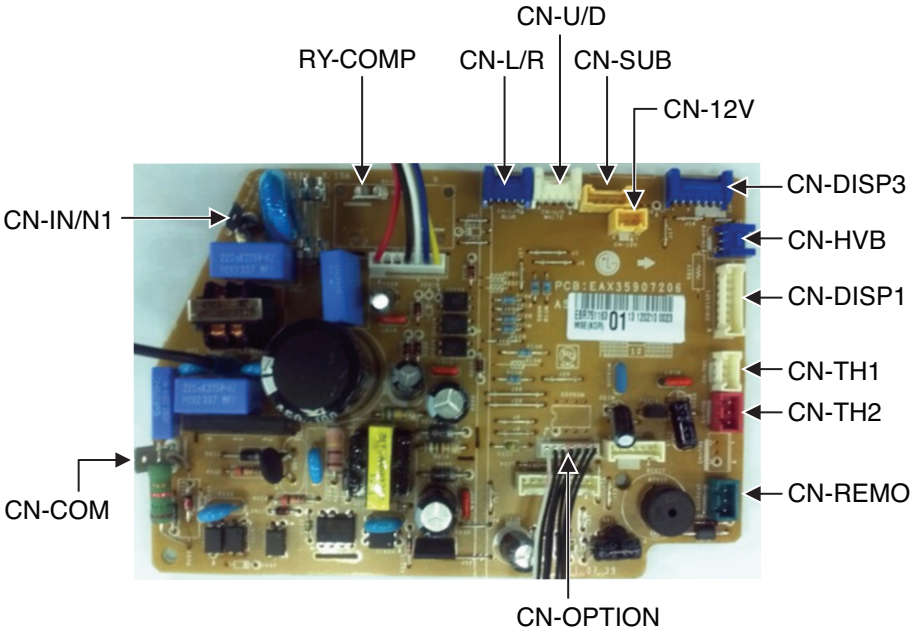
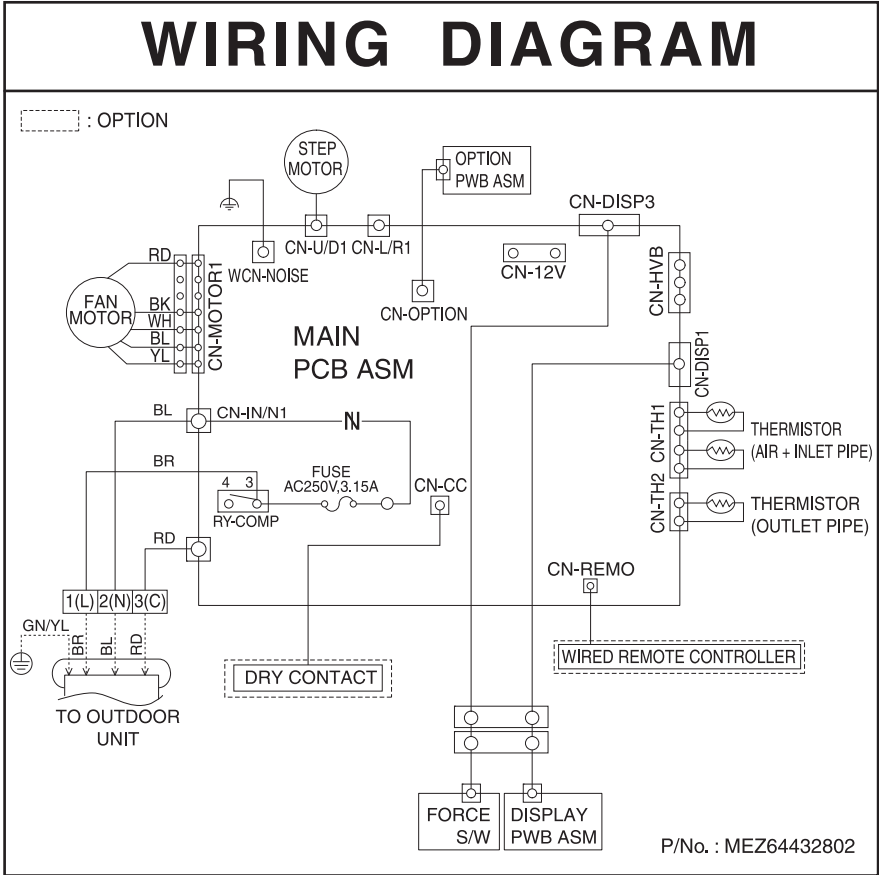
2. Piping Diagrams



| Description | PCB Connector |
|--|---------------|
| Thermistor for suction air temperature | CN-TH1 |
| Thermistor for evaporator inlet temperature | |
| Thermistor for evaporator outlet temperature | CN-TH2 |

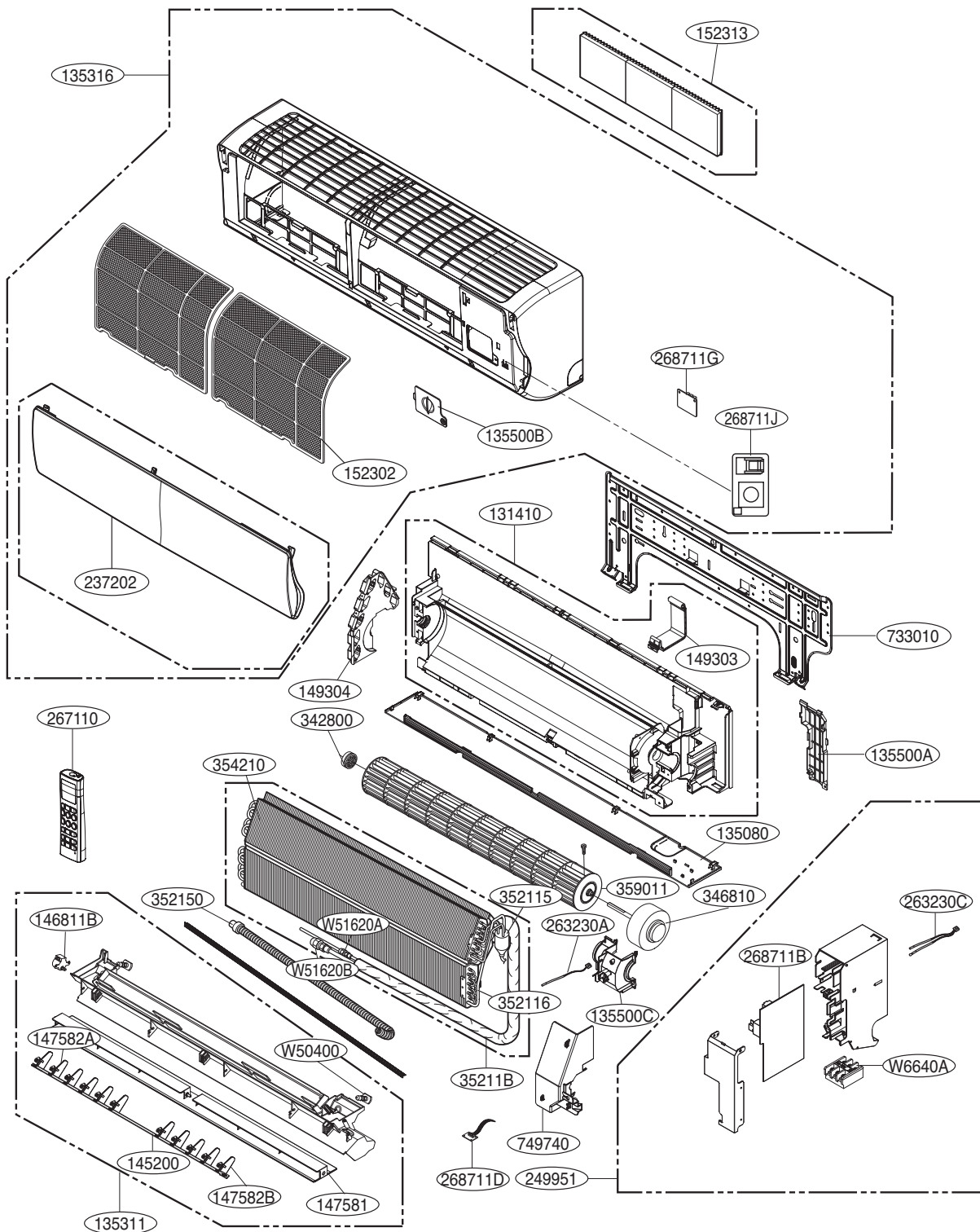
3. Wiring Diagrams

Indoor Unit



Main PCB

4. Exploded View



Note) * Please ensure GCSC since the replacement parts may be changed depending upon the buyer's request. Please check the correct parts in View RPL(Replacement Part List) on GCSC. (GCSC Website <http://www.lge.com>)



P/NO : MFL67482703

November, 2013