



Internal Use Only

<http://www.lge.com>

Room Air Conditioner

SVC MANUAL(Exploded View)

**MODEL : AMNW18GDC*0 [MS18AW* NC0]
AMNW24GDC*0 [MS24AW* NC0]**

CAUTION

Before Servicing the unit, read the safety precautions in General SVC manual.
Only for authorized service personnel.

1. Specification

Indoor

Model			AMNW18GDC*0 [MS18AW* NC0]	AMNW24GDC*0 [MS24AW* NC0]
Power supply	Ø/V/Hz		1/220-240/50	1/220-240/50
Fan	Motor type		BLDC	BLDC
	Fan type		Cross Flow Fan	Cross Flow Fan
Piping connections	Liquid	mm(inch)	6.35(1/4)	6.35(1/4)
	Gas	mm(inch)	12.70(1/2)	12.70(1/2)
Dimensions (W*H*D)		mm	1030 x 325 x 245	1030 x 325 x 245
		inch	40.6 x 12.8 x 9.6	40.6 x 12.8 x 9.6
Power&Transmission cable	No. x mm ²		4 x 1.0(Including Earth)	4 x 1.0(Including Earth)

Note:

- Capacities are based on the following conditions:
 Cooling: - Indoor Temperature 27°C DB/19°C WB
 - Outdoor Temperature 35°C DB/24°C WB
 Heating: - Indoor Temperature 20°C DB/15°C WB
 - Outdoor Temperature 7°C DB/6°C WB
 Piping Length - Interconnecting Piping Length 7.5m
 - Level Difference of Zero
- Wiring cable size must comply with the applicable local and national code.
- The specification may be subject to change without prior notice for purpose of improvement.

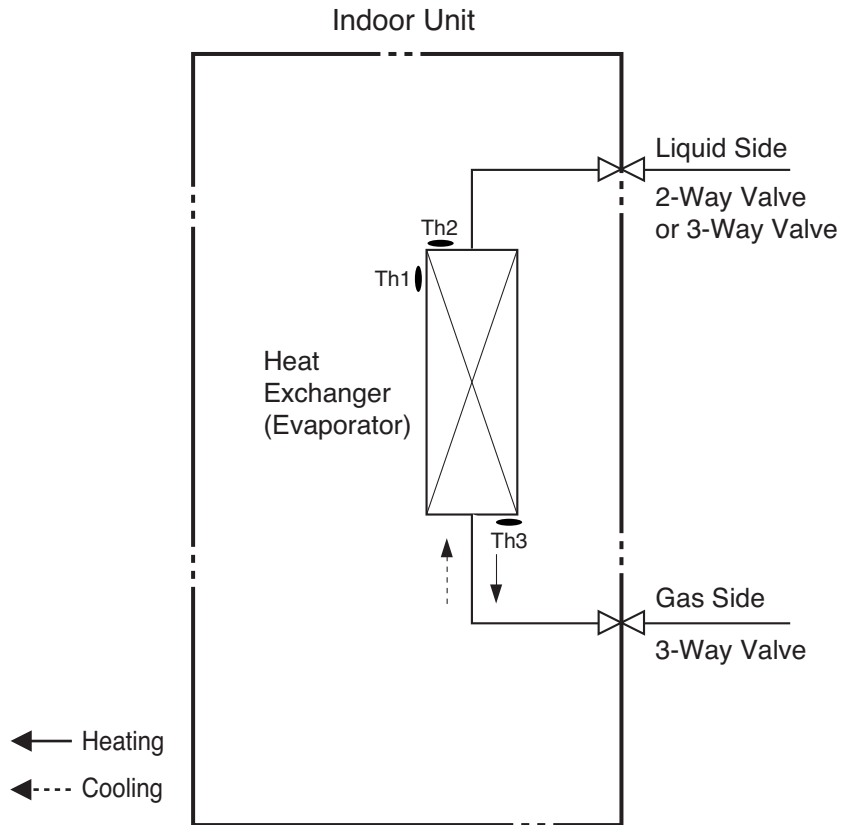
Conversion Formula

$$\text{kW} = \text{Btu/h} \times 0.0002931$$

$$\text{cfm} = \text{CMM} \times 35.3$$

2. Piping Diagrams

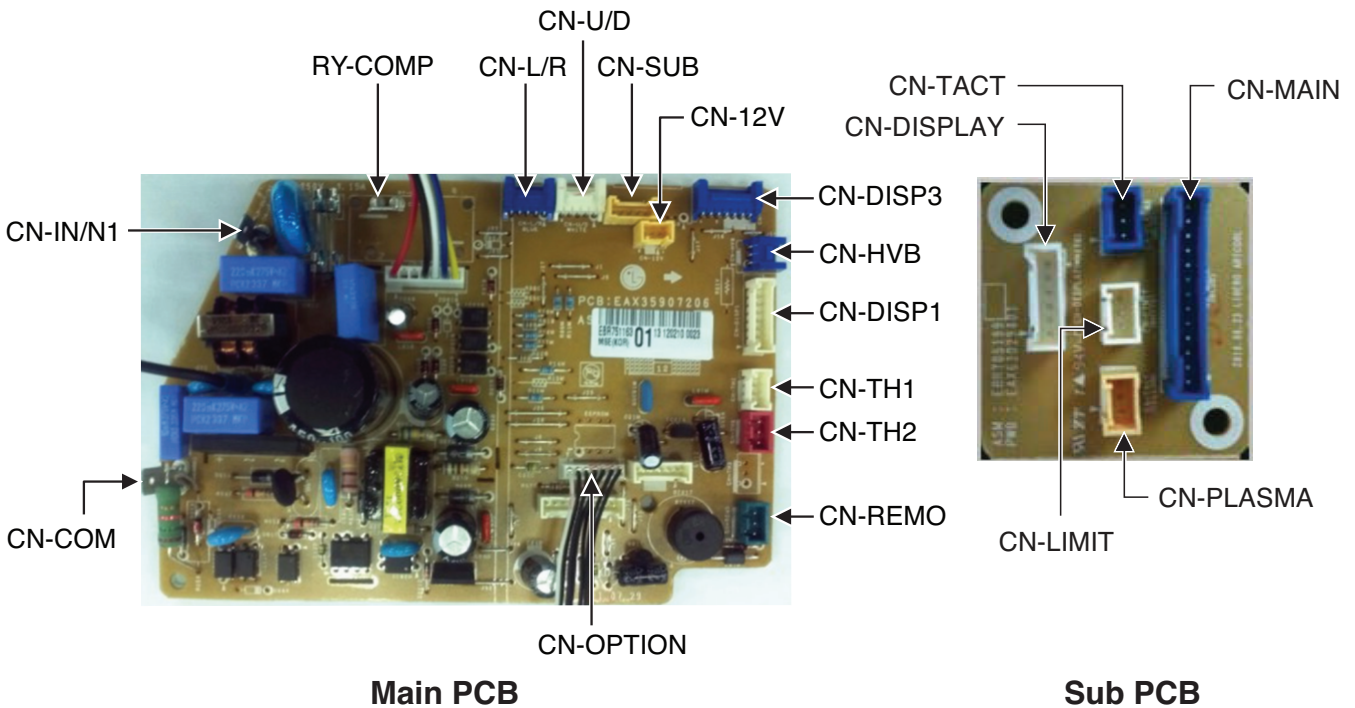
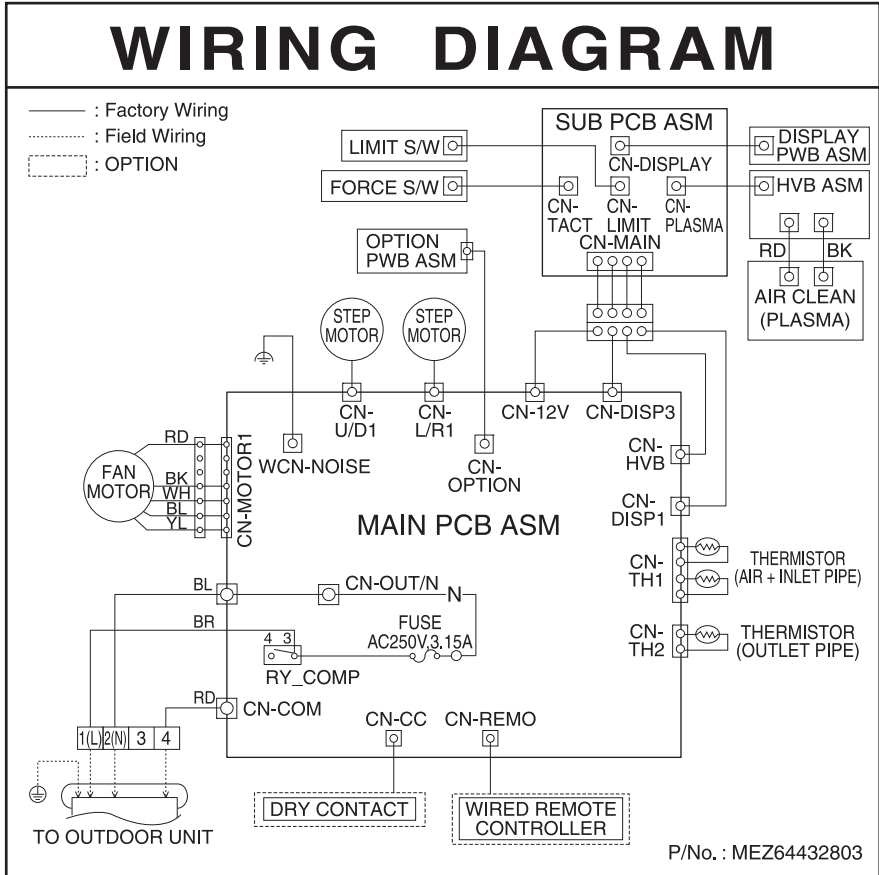
Indoor



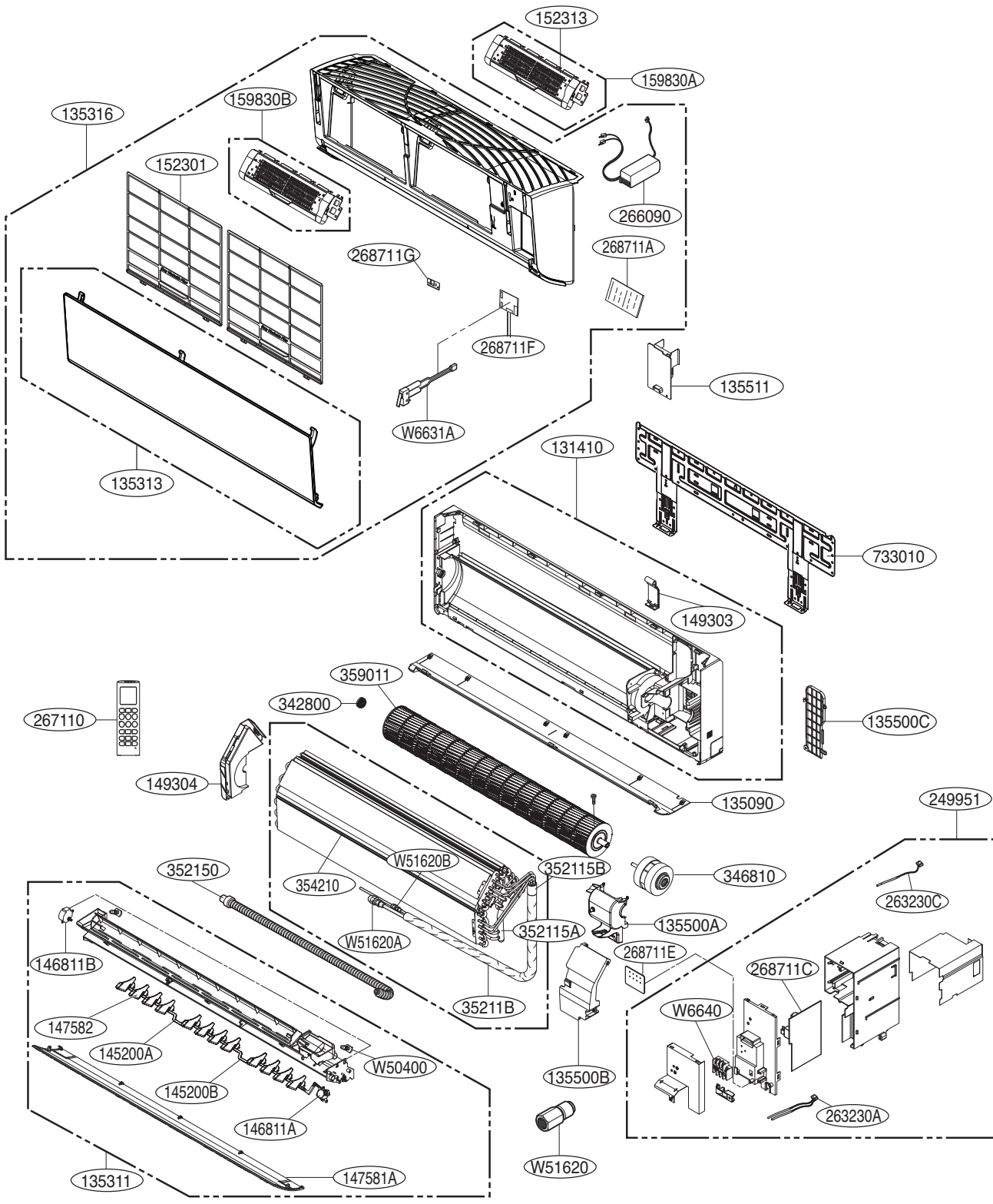
LOC.	Description	PCB Connector
Th1	Thermistor for suction air temperature	CN-TH1(Indoor)
Th2	Thermistor for evaporator inlet temperature	
Th3	Thermistor for evaporator outlet temperature	CN-TH2(Indoor)

3. Wiring Diagrams

Indoor



4. Exploded View



Note) * Please ensure GCSC since the replacement parts may be changed depending upon the buyer's request. Please check the correct parts in View RPL(Replacement Part List) on GCSC. (GCSC Website <http://www.lge.com>)



P/NO : MFL67482702

August, 2013