



Internal Use Only

<http://biz.lgservice.com>

# **LG Air Conditioner**

## **SVC MANUAL(Exploded View)**

**TYPE: Cassette Air Conditioner**

**MODEL : ATNH09GRLE2 [CT09 NR2 / CT09 NR2A0]  
ATNH12GRLE2 [CT12 NR2 / CT12 NR2A0]  
ATNH18GQLE2 [CT18 NQ2 / CT18 NQ2A0]**

### **CAUTION**

Before Servicing the unit, read the safety precautions in General SVC manual.  
Only for authorized service personnel.

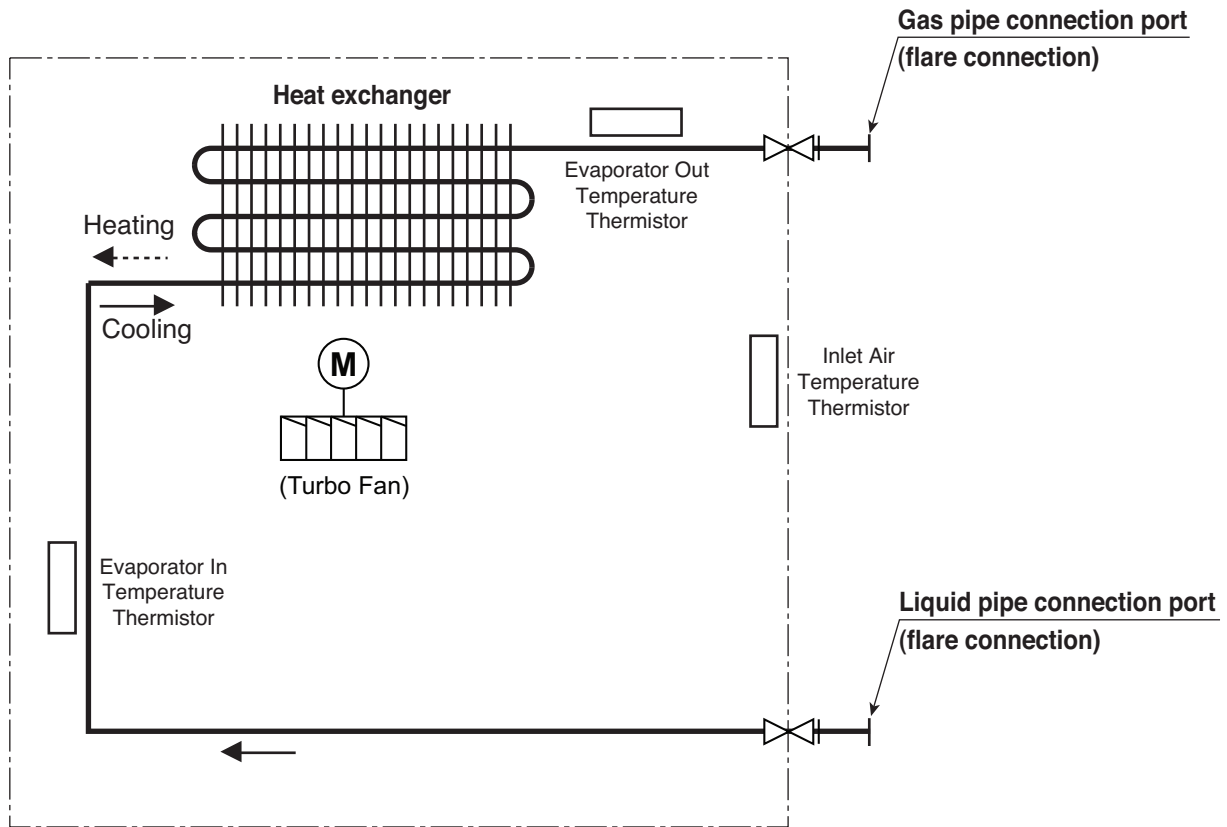
# 1. Specification

Model Name				ATNH09GRLE2 [CT09 NR2 / CT09 NR2A0]	ATNH12GRLE2 [CT12 NR2 / CT12 NR2A0]	ATNH18GQLE2 [CT18 NQ2 / CT18 NQ2A0]
Power Supply			V / Ø / Hz	220-240 / 1 / 50	220-240 / 1 / 50	220-240 / 1 / 50
Casing Color			-	-	-	-
Dimensions	Body	W x H x D	mm	214 x 570 x 570	214 x 570 x 570	256 x 570 x 570
		W x H x D	inch	8-7/16 x 22-7/16 x 22-7/16	8-7/16 x 22-7/16 x 22-7/16	10-3/32 x 22-7/16 x 22-7/16
Net Weight			kg (lbs)	13.2 (29.1)	13.2 (29.1)	14.5 (32.0)
Heat Exchanger	#1_(Row x Column x Fins perinch) x No.		-	(1 x 8 x 18) x 1	(1 x 8 x 18) x 1	(1 x 10 x 18) x 1
	#2_(Row x Column x Fins perinch) x No.		m <sup>2</sup> (ft <sup>2</sup> )	(1 x 8 x 18) x 1	(1 x 8 x 18) x 1	(1 x 10 x 18) x 1
	Face Area		m <sup>2</sup> (ft <sup>2</sup> )	0.168(1.81)	0.168(1.81)	0.21 (2.26)
Fan	Type		-	Turbo Fan	Turbo Fan	Turbo Fan
	Air Flow Rate	H / M / L	m <sup>3</sup> /min	8.5 / 7.0 / 6.0	9.5 / 8.0 / 7.0	13.0 / 12.0 / 11.0
		H / M / L	ft <sup>3</sup> /min	300 / 247 / 212	336 / 283 / 247	459 / 424 / 388
	Type		-	BLDC	BLDC	BLDC
	Output		W x No.	40 x 1	40 x 1	60 x 1
Power Input		W x No.	-	-	-	
Fan Motor			Running Current	A	0.30 x 1	0.30 x 1
Sound Pressure Level			H / M / L	dB(A)	36 / 33 / 30	38 / 35 / 32
Sound Power Level			Cooling	H / M / L	dB(A)	-
Piping Connections	Liquid		mm(inch)	Ø 6.35 (1/4)	Ø 6.35 (1/4)	Ø 6.35 (1/4)
	Gas		mm(inch)	Ø 9.52 (3/8)	Ø 9.52 (3/8)	Ø 12.7 (1/2)
	Drain (O.D. / I.D.)		mm	Ø35.5 / 31.5	Ø35.5 / 31.5	Ø35.5 / 31.5
Safety Devices			-	Fuse	Fuse	Fuse
Power and Communication Cable (included Earth)			No. x mm <sup>2</sup> (AWG)	4C x 0.75 (18)	4C x 0.75 (18)	4C x 0.75 (18)
Decoration Panel	Model Name		-	PT-UQC	PT-UQC	PT-UQC
	Casing Color		-	Morning Fog	Morning Fog	Morning Fog
	Dimensions	W x H x D	mm	22 x 700 x 700	22 x 700 x 700	22 x 700 x 700
		W x H x D	inch	7/8 x 27-9/16 x 27-9/16	7/8 x 27-9/16 x 27-9/16	7/8 x 27-9/16 x 27-9/16
Net weight		kg (lbs)	3 (6.6)	3 (6.6)	3 (6.6)	

**Note :**

- All data are based on the following conditions:
  - Cooling Temperature : Indoor 27°C(80.6°F) DB / 19°C(66.2°F) WB  
Outdoor 35°C(95°F) DB / 24°C(75.2°F) WB
  - Heating Temperature : Indoor 20°C(68°F) DB / 15°C(59°F) WB  
Outdoor 7°C(44.6°F) DB / 6°C(42.8°F) WB
  - Piping Length : Interconnected Pipe Length = 7.5m
  - Difference Limit of Elevation (Outdoor ~ Indoor Unit) is Zero.
- Wiring cable size must comply with the applicable local and national code.
- Due to our policy of innovation some specifications may be changed without notification.
- Sound Level Values are measured at Anechoic chamber.  
Therefore, these values can be increased (maximum 3dB(A)) owing to ambient conditions during operation.

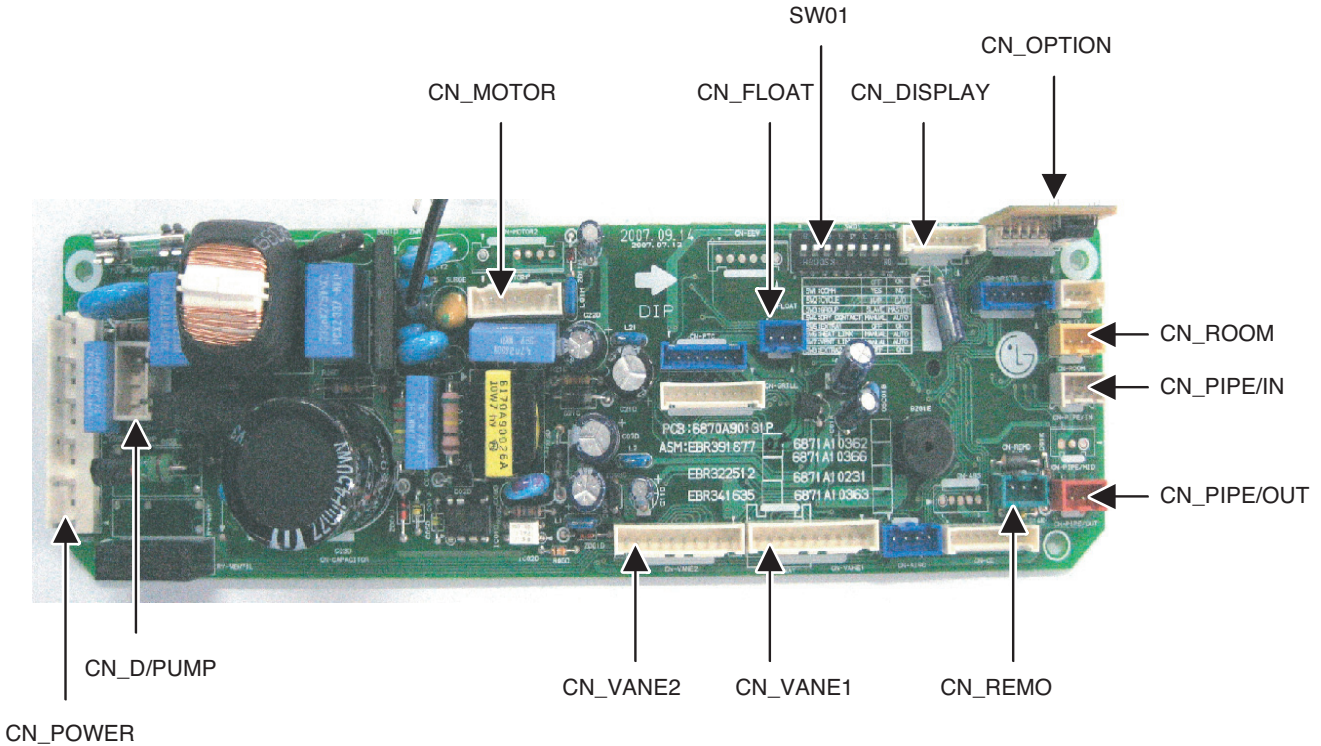
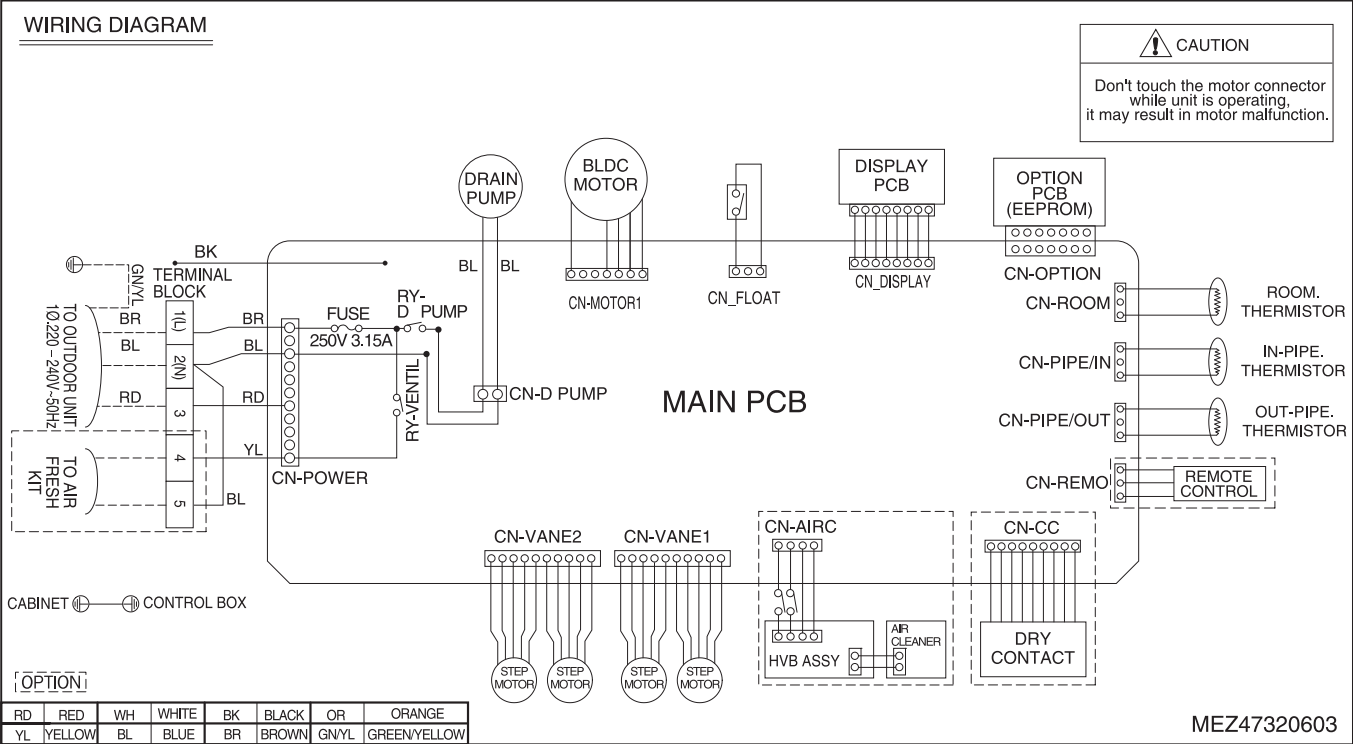
## 2. Piping Diagrams



Description	PCB Connector
Inlet Air Temperature Thermistor	CN-ROOM
Evaporator In Temperature Thermistor	CN-PIPE/IN
Evaporator Out Temperature Thermistor	CN-PIPE/OUT

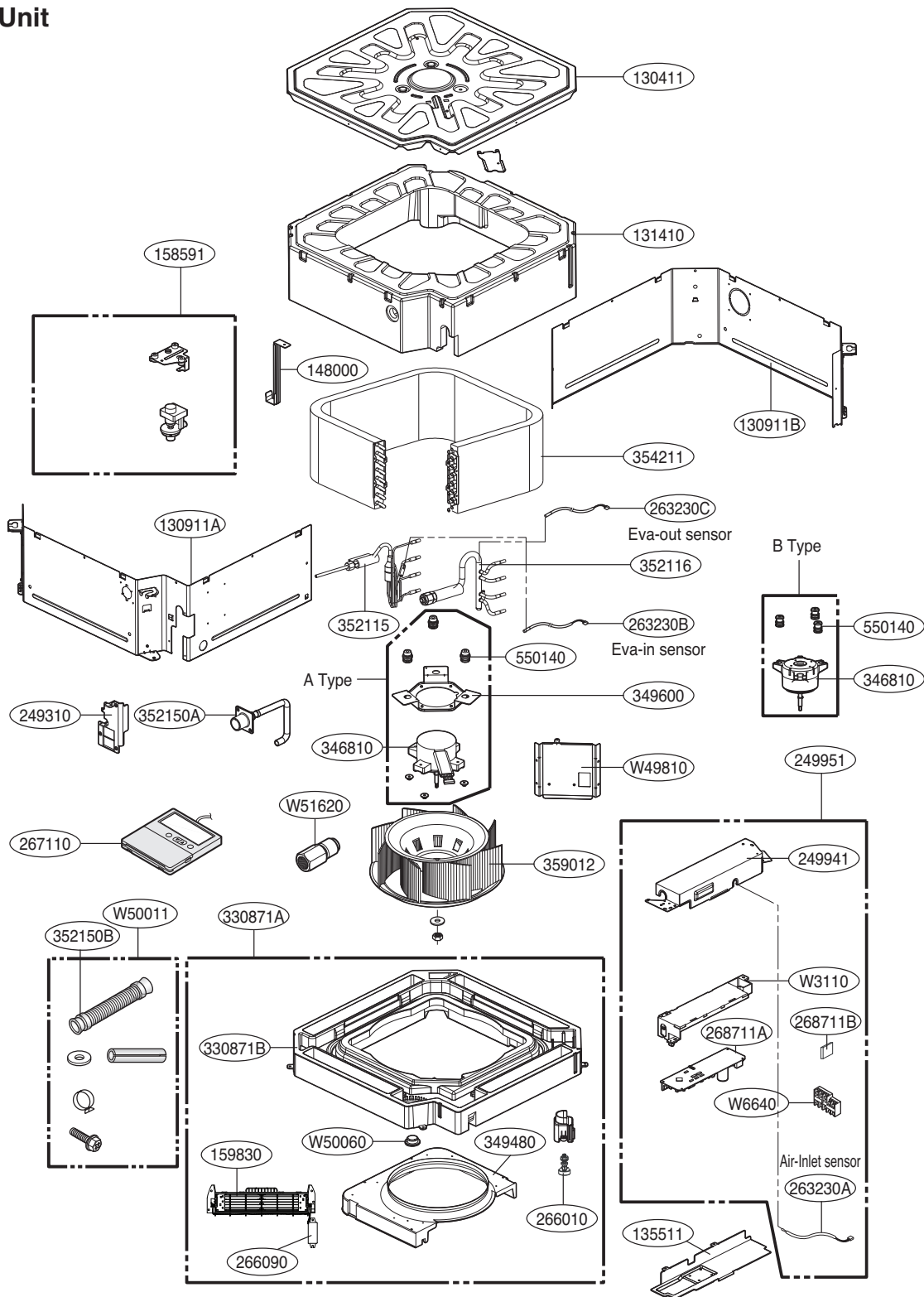
# 3. Wiring Diagrams

## Indoor Unit



## 5. Exploded View

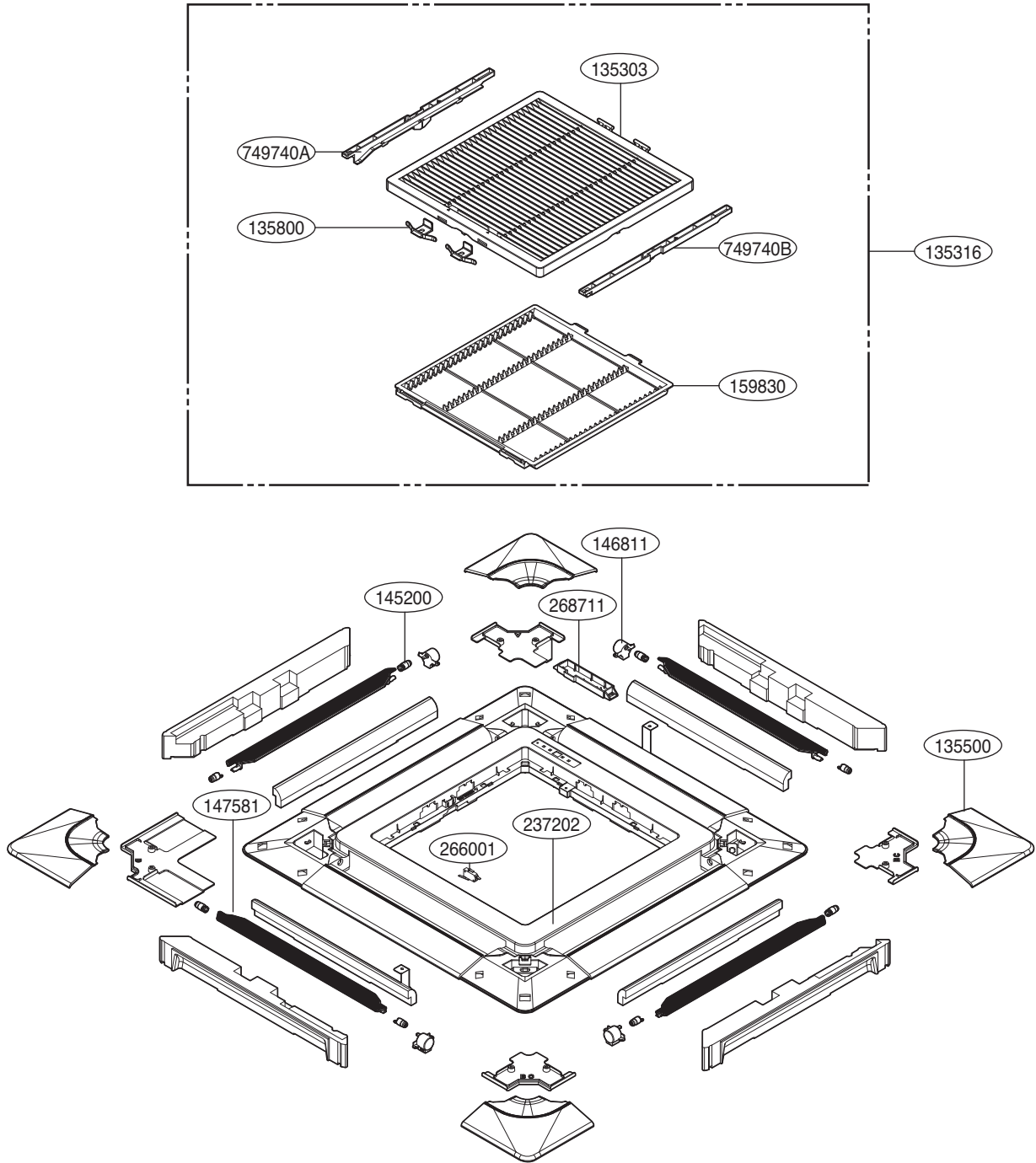
### Indoor Unit



Location No.	Description	Sensor Information	Housing Color
263230A	Thermistor1(CN_ROOM)	Air-Inlet	Orange
263230B	Thermistor2(CN_PIPE/IN)	Eva-in	White
263230C	Thermistor3(CN_PIPE/OUT)	Eva-out	Red

# Front Panel (Accessory)

• Model : PT-UQC





P/NO : MFL67523107

November, 2014