



# LG Air Conditioner

## SVC MANUAL(Exploded View)

Type : Ceiling Suspended Air conditioner

MODEL : UVNH18GJLA2 [CV18 NJ2]  
UVNH24GJLA2 [CV24 NJ2]  
UVNH30GJLA2 [UV30 NJ2]

### CAUTION

Before Servicing the unit, read the safety precautions in General SVC manual.  
Only for authorized service personnel.

# 1. Specification

## Indoor Unit

Model Name			UVNH18GJLA2 [ CV18 NJ2 ]	UVNH24GJLA2 [ CV24 NJ2 ]	UVNH30GJLA2 [ UV30 NJ2 ]	
Power Supply			V / Ø / Hz	220-240 / 1 / 50	220-240 / 1 / 50	220-240 / 1 / 50
Casing Color			-	Morning Fog	Morning Fog	Morning Fog
Dimensions	Body	W x H x D	mm	650 x 950 x 220	650 x 950 x 220	650 x 950 x 220
		W x H x D	inch	25-19/32 x 37-13/32 x 8-21/32	25-19/32 x 37-13/32 x 8-21/32	25-19/32 x 37-13/32 x 8-21/32
Net Weight	Body		kg (lbs)	22 (48.5)	23 (50.7)	23 (50.7)
Heat Exchanger	(Row x Column x Fins per inch) x No.		-	(2 x 14 x 17) x 1	(3 x 17 x 17) x 1	(3 x 14 x 17) x 1
	Face Area		m2 (ft2)	0.588 (6.33)	1.071 (11.52)	0.882 (9.49)
Fan	Type		-	Cross flow Fan	Cross flow Fan	Cross flow Fan
	Air Flow Rate	H / M / L	m3/min	12.4 / 11.4 / 10.4	13.9 / 12.9 / 11.9	13.9 / 12.9 / 11.9
		H / M / L	ft3/min	438 / 403 / 367	491 / 456 / 420	491 / 456 / 420
Fan Motor	Type		-	BLDC	BLDC	BLDC
	Output		W x No.	43.1 x 1	43.1 x 1	43.1 x 1
	Power Input		W x No.	-	-	-
	Running Current		A	0.60 x 1	0.60 x 1	0.60 x 1
Dehumidification Rate			ℓ/h (pts/h)	2.3 (4.9)	3.2 (6.8)	3.5 (7.4)
Sound Pressure Level		H / M / L	dB(A)	42 / 40 / 39	44 / 43 / 41	44 / 43 / 41
Sound Power Level	Cooling	H / M / L	dB(A)	-	-	-
Piping	Liquid		mm(inch)	Ø 6.35 (1/4)	Ø 9.52 (3/8)	Ø 9.52 (3/8)
Connections	Gas		mm(inch)	Ø 12.7 (1/2)	Ø 15.88 (5/8)	Ø 15.88 (5/8)
	Drain (O.D. / I.D.)		mm	Ø 16.7 / 12.2	Ø 32.0 / 25.5	Ø 32.0 / 25.5
Safety Devices			-	Fuse	Fuse	Fuse
Power and Communication Cable (included Earth)			No. x mm2 (AWG)	4C x 0.75 (18)	4C x 0.75 (18)	4C x 0.75 (18)
Decoration Panel	Model Name		-	-	-	-
	Casing Color		-	-	-	-
	Dimensions	W x H x D	mm	-	-	-
		W x H x D	inch	-	-	-
	Net weight		kg (lbs)	-	-	-

### Note:

1. All data are based on the following conditions:

- Cooling Temperature : Indoor 27°C(80.6°F) DB / 19°C(66.2°F) WB  
Outdoor 35°C(95°F) DB / 24°C(75.2°F) WB
- Heating Temperature : Indoor 20°C(68°F) DB / 15°C(59°F) WB  
Outdoor 7°C(44.6°F) DB / 6°C(42.8°F) WB
- Piping Length : Interconnected Pipe Length = 7.5m
- Difference Limit of Elevation (Outdoor ~ Indoor Unit) is Zero.

2. Wiring cable size must comply with the applicable local and national code.

3. Due to our policy of innovation some specifications may be changed without notification.

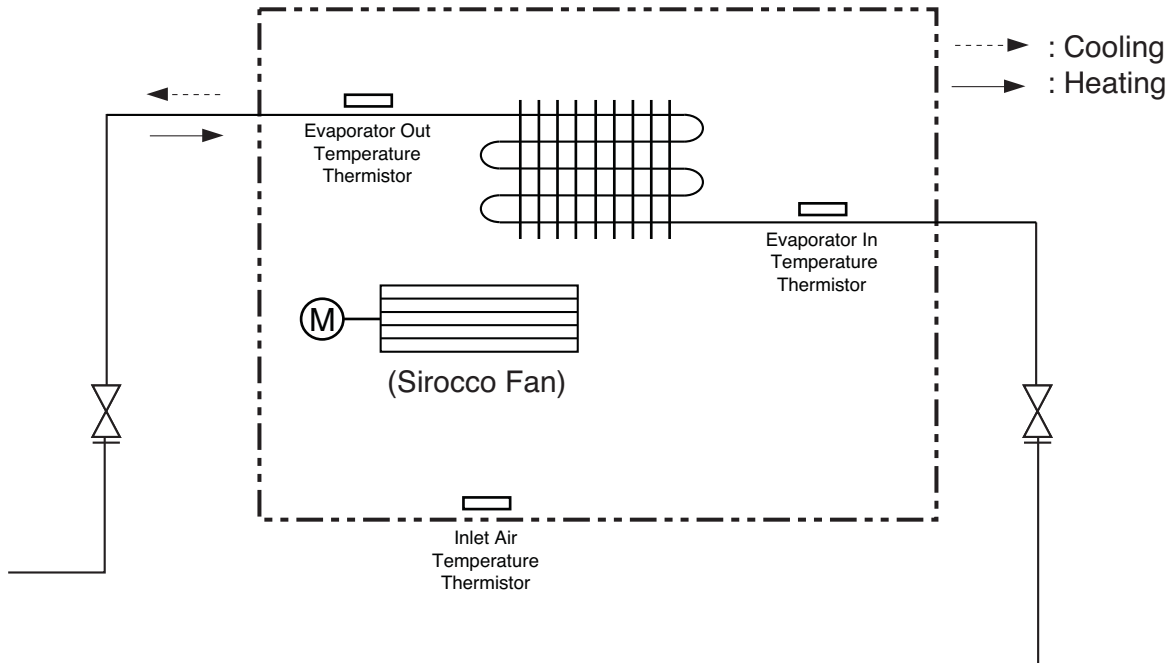
4. Sound Level Values are measured at Anechoic chamber.

Therefore, these values can be increased(maximum 3dB(A)) owing to ambient conditions during operation.

Conversion Formula
kW = Btu/h x 0.0002931
cfm = CMM x 35.3

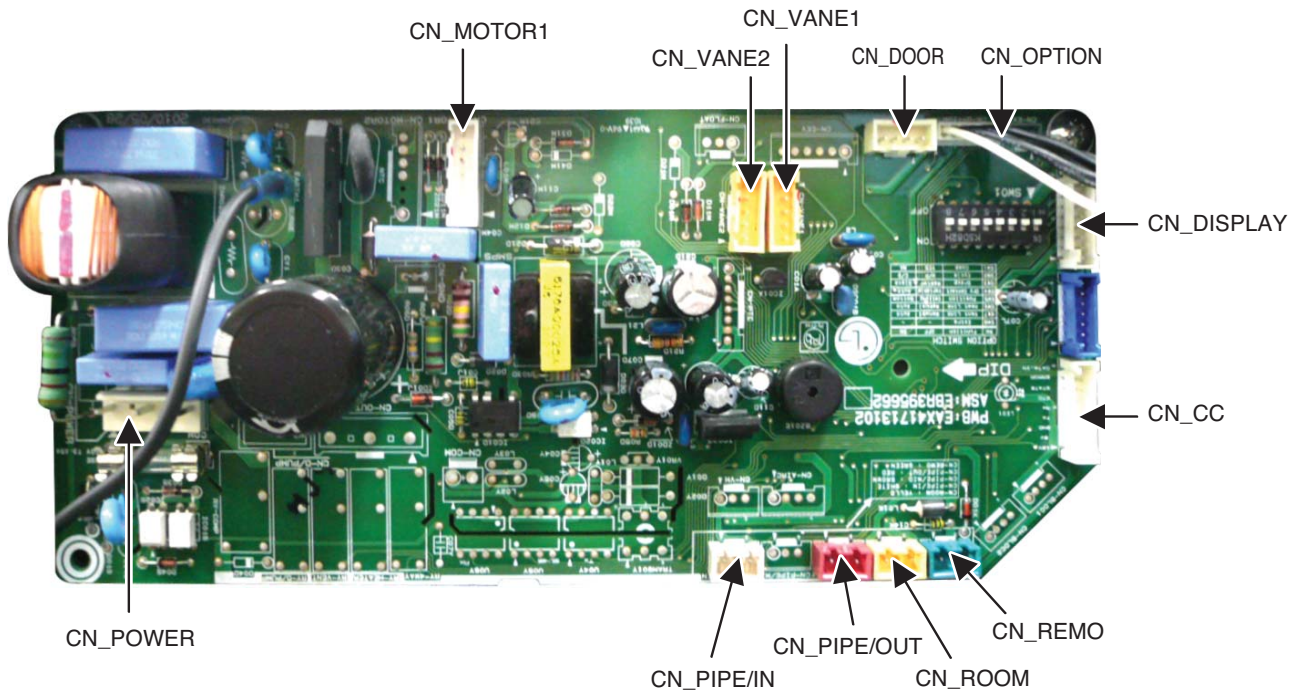
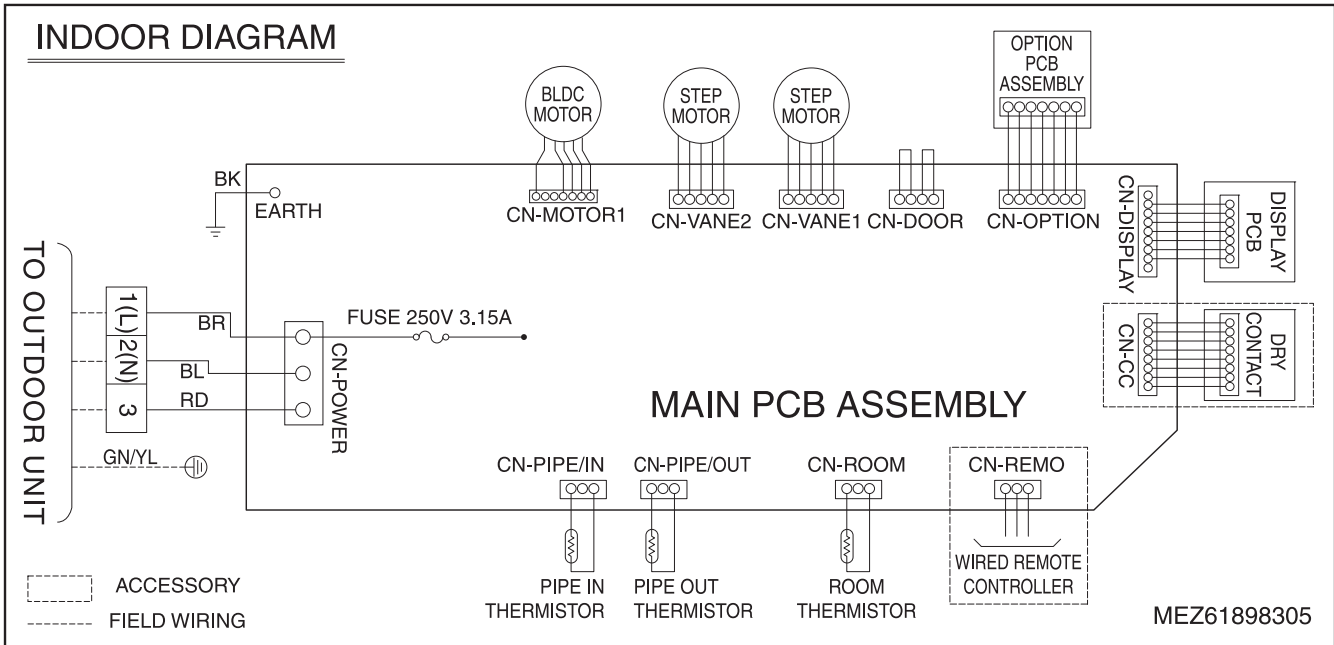
## 2. Piping Diagrams

### Indoor Unit



Description	PCB Connector
Inlet Air Temperature Thermistor	CN-ROOM
Evaporator In Temperature Thermistor	CN-PIPE/IN
Evaporator Out Temperature Thermistor	CN-PIPE/OUT

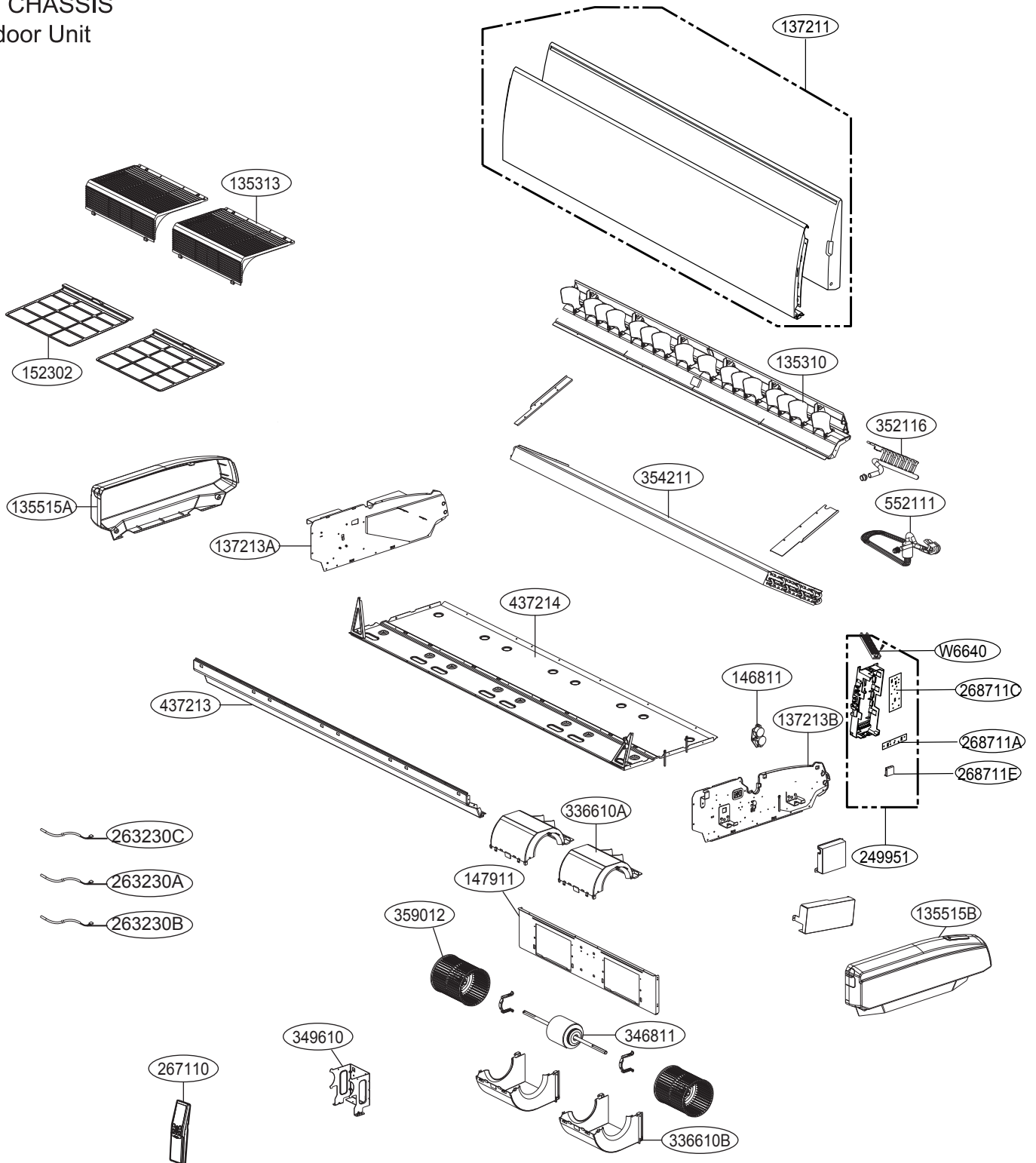
# 3. Wiring Diagrams



# 4. Exploded View

## VJ CHASSIS

### Indoor Unit





P/NO : MFL67523103

February, 2012