



Internal Use Only

<http://biz.lgservice.com>

Multi Air Conditioner

SVC MANUAL(Exploded View)

MODEL : AQNH09GALA0
AQNH12GALA0
AQNH18GALA0

CAUTION

Before Servicing the unit, read the safety precautions in General SVC manual.
Only for authorized service personnel.

1. Specification

Indoor

| Indoor Unit Type | | | Console | | |
|--|-------------------------------|----------------------|---------------------------------------|---------------------------------|---------------------------------|
| Model | | | AQNH09GALA0 | AQNH12GALA0 | AQNH18GALA0 |
| Power Supply | | Ø / V / Hz | 1/220~240/50 | 1/220~240/50 | 1/220~240/50 |
| Cooling Capacity | | kW | 2.5 | 3.5 | 4.6 |
| | | Btu/h | 8,540 | 11,960 | 15,710 |
| Heating Capacity | | kW | 3.4 | 4 | 5.0 |
| | | Btu/h | 11,610 | 13,660 | 17,070 |
| Current | Nominal Running Current | A | 0.14 | 0.14 | 0.18 |
| Fan | Motor Type | | BLDC | BLDC | BLDC |
| | Fan Type | | Turbo Fan | Turbo Fan | Turbo Fan |
| | Motor Output(W) x No. of Unit | | 48*1 | 48*1 | 48*1 |
| | Air Flow Rate (H / M / L) | CMM | 8.5/6.7/5.0 | 9.0/6.9/5.2 | 11.0/9.5/8.0 |
| | | cfm | 300/236/176 | 318/244/184 | 388/335/283 |
| | External Static Pressure | mmAq | - | - | - |
| | Capacitor | µF / Vac | - | - | - |
| Drive | | Direct Drive | Direct Drive | Direct Drive | |
| Coil | Row x Column x FPI | | 2R x 19C x 19 | 2R x 19C x 19 | 2R x 19C x 19 |
| Dimensions (W x H x D) | Body | mm(inch) | 700*600*210(27.6*23.6*8.3) | 700*600*210(27.6*23.6*8.3) | 700*600*210(27.6*23.6*8.3) |
| | Decorative Panel | mm(inch) | - | - | - |
| Net Weight | Body | kg (lbs) | 13.8(30.4) | 13.8(30.4) | 13.8(30.4) |
| | Decorative Panel | kg (lbs) | - | - | - |
| Air Filter | | | Pre Filter | Pre Filter | Pre Filter |
| Sound Level (H / M / L) | | dB(A)+3 | 38/32/27 | 39/32/27 | 44/39/35 |
| Piping | Liquid | mm (inch) | 6.35(1/4) | 6.35(1/4) | 6.35(1/4) |
| Connections | Gas | mm (inch) | 9.52(3/8) | 9.52(3/8) | 12.7(1/2) |
| | Drain(OD/ID) | mm | - | - | - |
| Dehumidification Rate | | l/h | 1.4 | 1.7 | 2.4 |
| Safety Devices | | | Fuse, Thermal Protector for Fan Motor | | |
| Temperature Sensor | | | Thermistor | | |
| Refrigerant | | | R410A | R410A | R410A |
| Refrigerant Control | | | EEV(in Outdoor Unit or BD Unit) | EEV(in Outdoor Unit or BD Unit) | EEV(in Outdoor Unit or BD Unit) |
| Connectable Outdoor Unit | Single | | AUUW096D | AUUW126D | AUUW186D |
| | Multi | | Multi F/FDX series | Multi F/FDX series | Multi F/FDX series |
| Power and Transmission Interunit Cable | | No.x mm ² | 4*0.75 | 4*0.75 | 4*0.75 |

Note:

1. Capacities are based on the following conditions:

Cooling: - Indoor Temperature 27°C(80.6°F) DB/19°C(66.2°F) WB

- Outdoor Temperature 35°C(95°F) DB/24°C(75.2°F) WB

Heating: - Indoor Temperature 20°C(68°F) DB/15°C(59°F) WB

- Outdoor Temperature 7°C(44.6°F) DB/6°C(42.8°F) WB

Piping Length - Interconnecting Piping Length 7.5m

- Level Difference of Zero

2. Wiring cable size must comply with the applicable local and national code.

3. The specification may be subject to change without prior notice for purpose of improvement.

| Conversion Formula |
|------------------------|
| kW = Btu/h x 0.0002931 |
| cfm = CMM x 35.3 |

2. Function Table

| Category | Function | AQNH09GALA0, AQNH12GALA0, AQNH18GALA0 |
|------------------------|---|---------------------------------------|
| Air flow | Air supply outlet | 2 |
| | Airflow direction control(left & right) | Manual |
| | Airflow direction control(up & down) | Auto |
| | Auto swing(left & right) | X |
| | Auto swing(up & down) | O |
| | Airflow steps(fan / cool / heat) | 4/5/4 |
| | Chaos swing | X |
| | Chaos wind(auto wind) | O |
| | Jet cool(Power wind) | O |
| | Swirl wind | X |
| Air Purifier | Deodorizing filter | X |
| | Plasma air purifier | X |
| | Prefilter(washable / anti-fungus) | O |
| Installation | Drain pump | X |
| | E.S.P. control | - |
| | Electric heater(operation) | - |
| | High ceiling operation | - |
| Reliability | Hot start | O |
| | Self diagnosis | O |
| | Soft dry operation | O |
| Convenience | Auto changeover | O |
| | Auto cleaning | X |
| | Auto operation(artificial intelligence) | X |
| | Auto restart operation | O |
| | Child lock | O |
| | Forced operation | O |
| | Group control | O |
| | Sleep mode | O |
| | Timer(on/off) | O |
| | Timer(weekly) | O |
| Two thermistor control | O | |
| Individual Control | Standard wired remote controller | X |
| | Picto wired remote controler | PQRCVSL0 / PQRCVSL0QW |
| | Deluxe wired remote controler | X |
| | Simple wired remote controller | X |
| | Wired remote controller(for hotel use) | X |
| | Wireless remote controller(simple) | X |
| | Wireless LCD remote control | PQWRHSF0 |
| CAC Network Function | General central control(Non LGAP) | X |
| | Dry contact | PQDSB |
| | Network Soluation(LGAP) | O |
| | PDI(power distribution indicator) | X |
| | PI 485 | PMNFP14A0 |
| Special Function Kit | CTIE | X |
| | Zone control | X |
| Others | Thermistor | X |

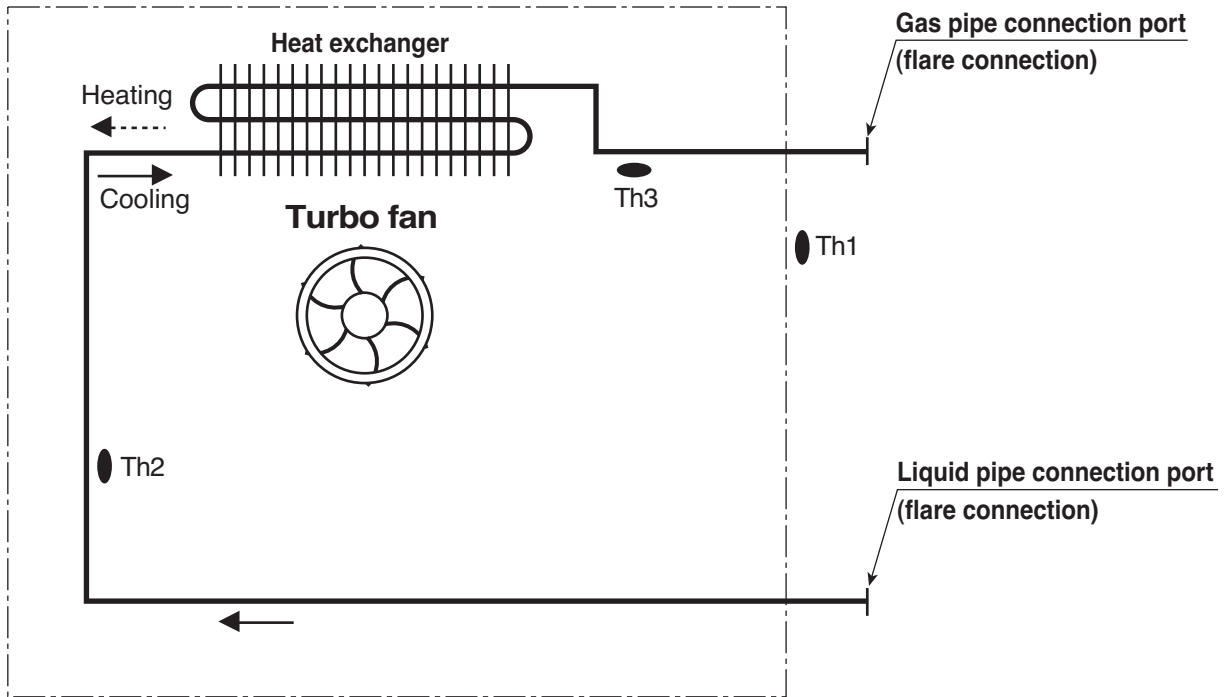
Note :

O : Applied, X : Not applied, - : No relation

* Option : Model name & price are different according to options, and assembled in factory with main unit.

* Accessory : Installed at field, ordered and purchased separately by the corresponding model name, supplied with separate package.

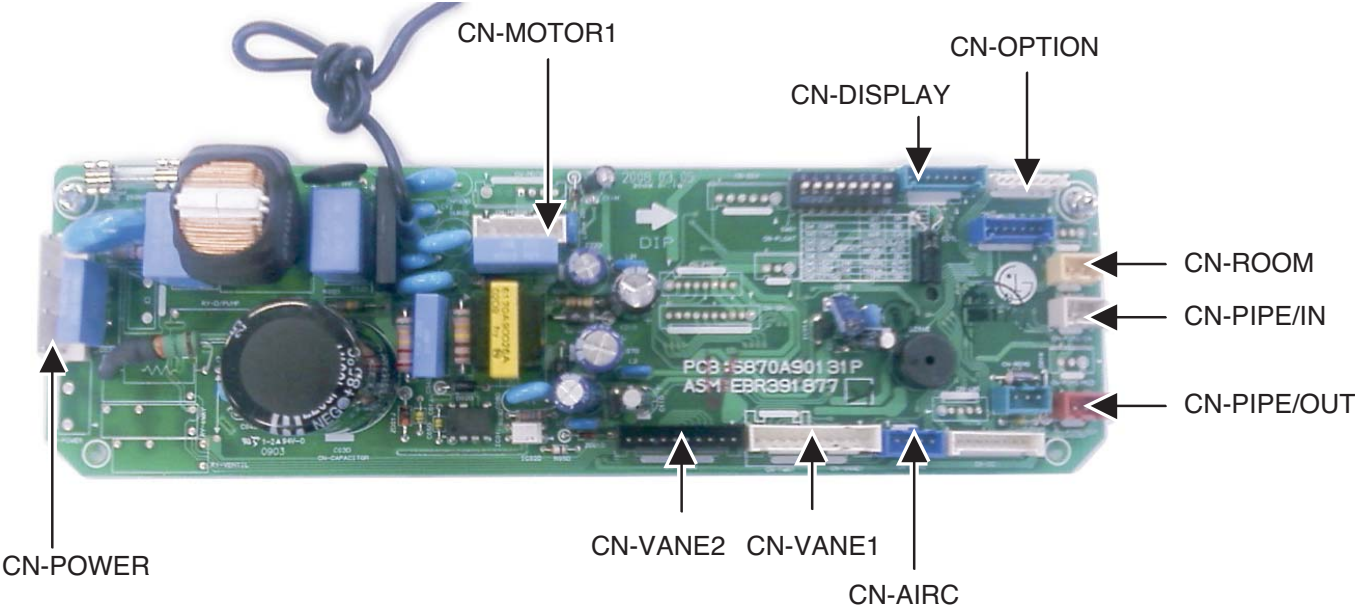
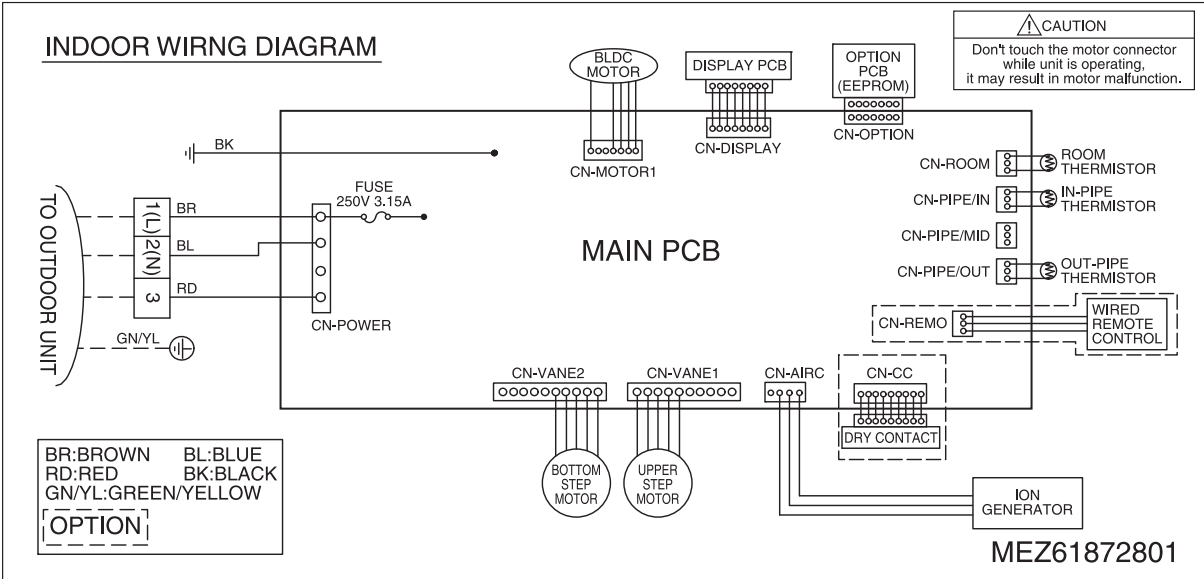
3. Piping Diagrams



| LOC. | Description | PCB Connector |
|------|--|---------------|
| Th1 | Thermistor for suction air temperature | CN-ROOM |
| Th2 | Thermistor for evaporator inlet temperature | CN-PIPE/IN |
| Th3 | Thermistor for evaporator outlet temperature | CN-PIPE/OUT |

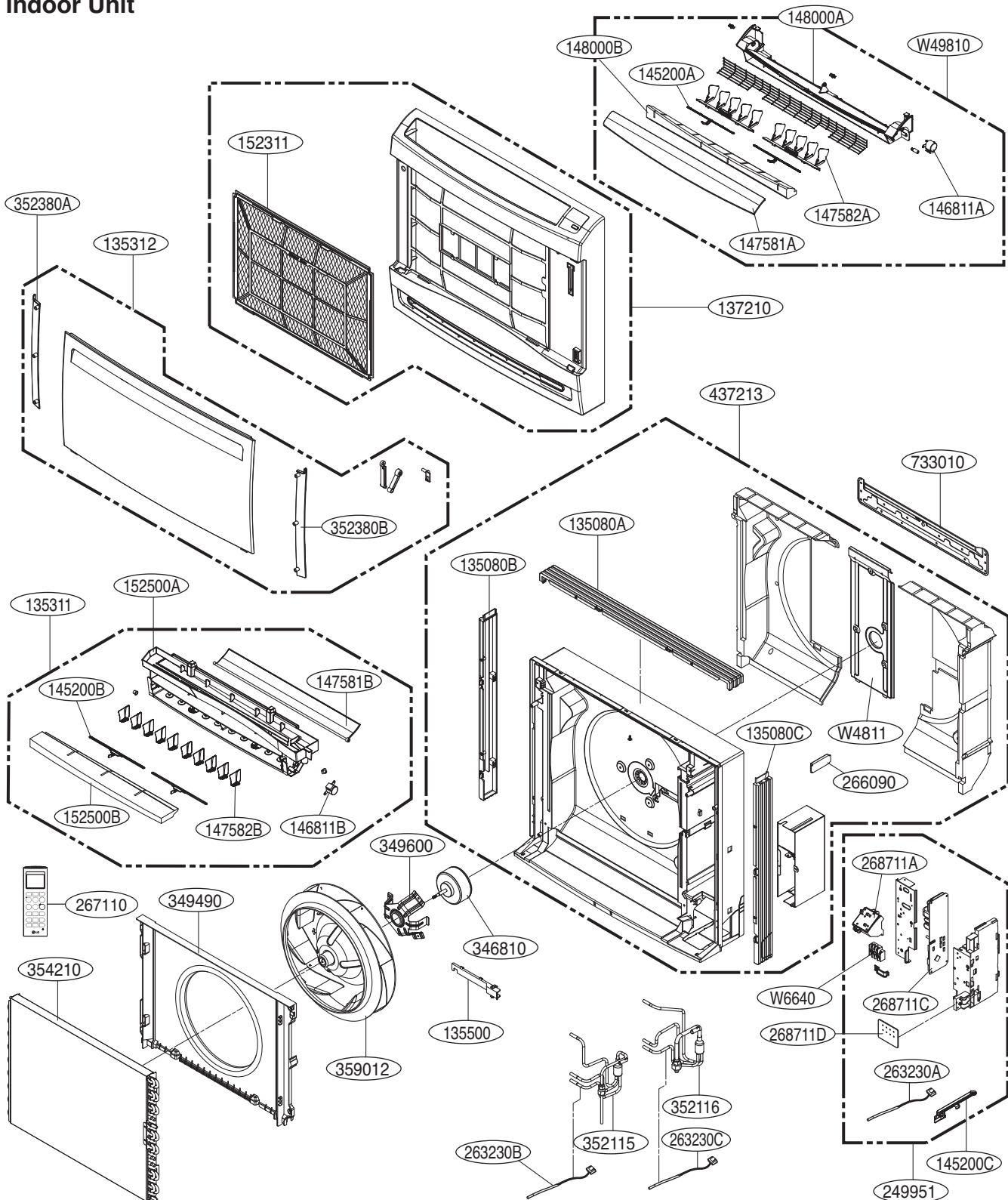
4. Wiring Diagrams

Indoor Unit



5. Exploded View

Indoor Unit



Note) * Please ensure GCSC since the replacement parts may be changed depending upon the buyer's request.
Please check the correct parts in View RPL(Replacement Part List) on GCSC.
(GCSC Website <http://biz.Lgservice.com>.)



P/NO : MFL62247101

NOVEMBER, 2009