



Internal Use Only

<http://biz.lgservice.com>

LG Air Conditioner

SVC MANUAL(Exploded View)

Type: Ceiling & Floor Air Conditioner

**MODEL : AVNH09GELAD [UV09 NED]
AVNH09GELA2 [CV09 NE2]
AVNH12GELAD [UV12 NED]
AVNH12GELA2 [CV12 NE2]**

CAUTION

Before Servicing the unit, read the safety precautions in General SVC manual.
Only for authorized service personnel.

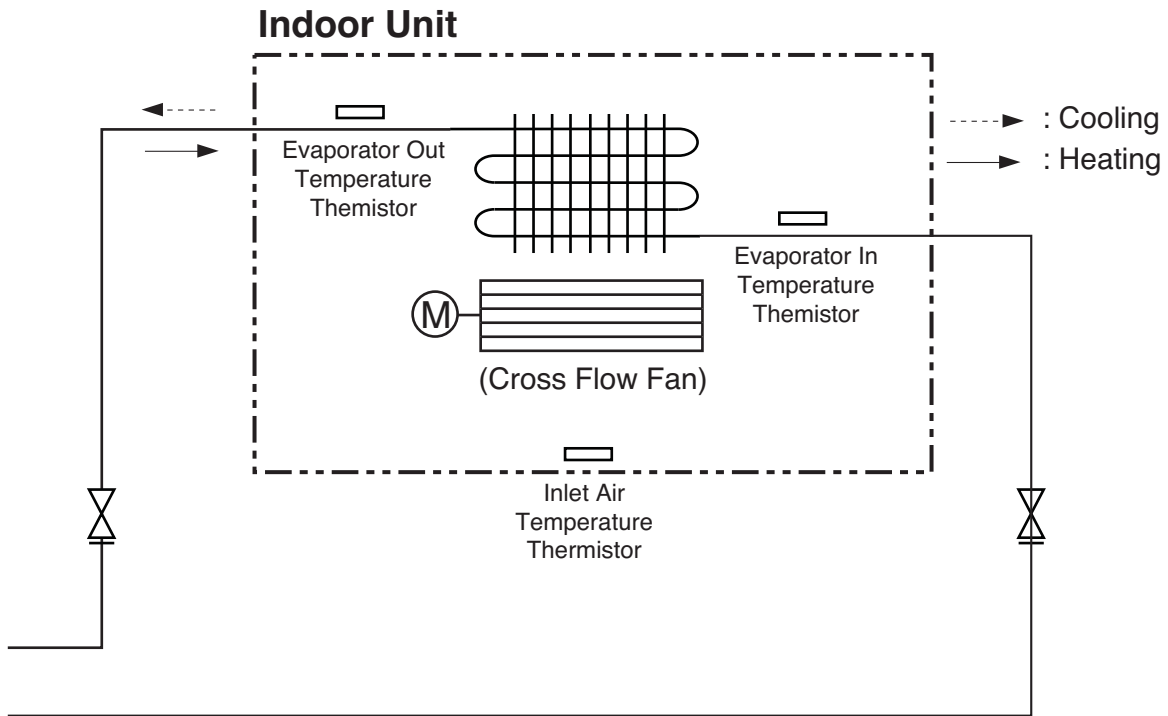
1. Specification

Type		Ceiling & Floor		
Model	Unit	AVNH09GELAD [UV09 NED] AVNH09GELA2 [CV09 NE2]	AVNH12GELAD [UV12 NED] AVNH12GELA2 [CV12 NE2]	
Fan	Motor Type	BLDC	BLDC	
	Fan Type	Cross Flow Fan	Cross Flow Fan	
	Motor Output(W) x No. of Unit	20 x 1	20 x 1	
	Air Flow Rate (H / M / L)	CMM	7.6 / 6.9 / 6.2	9.2 / 7.6 / 6.9
		cfm	268 / 243 / 219	325 / 268 / 243
	External Static Pressure mmAq	-	-	
	Capacitor	μ F / Vac	220/450	220/450
Drive		Direct Drive	Direct Drive	
Coil	Row x Column x FPI	2R x 12C x 20	2R x 12C x 20	
Dimensions (W x H x D)	Body	mm(inch)	900 x 200 x 490(35.4 x 7.9 x 19.3)	
Net Weight	Body	kg (lbs)	13.7 / (30.2)	
Air Filter			Long life filter	
Sound Level (H / M / L)		dB(A)+3	38 / 35 / 32	
Piping Connections	Liquid	mm (inch)	6.35 (1/4)	
	Gas	mm (inch)	9.52(3/8)	
	Drain(OD/ID)	mm	20/16	
Safety Devices			Fuse, Thermal protector for fan motor	
Temperature Sensor			Thermistor	
Referigerant			R-410A	
Referigerant Control			EEV(Outdoor Unit)	
Power and Transmission Interunit Cable	No. x mm ²		4*0.75	

Note :

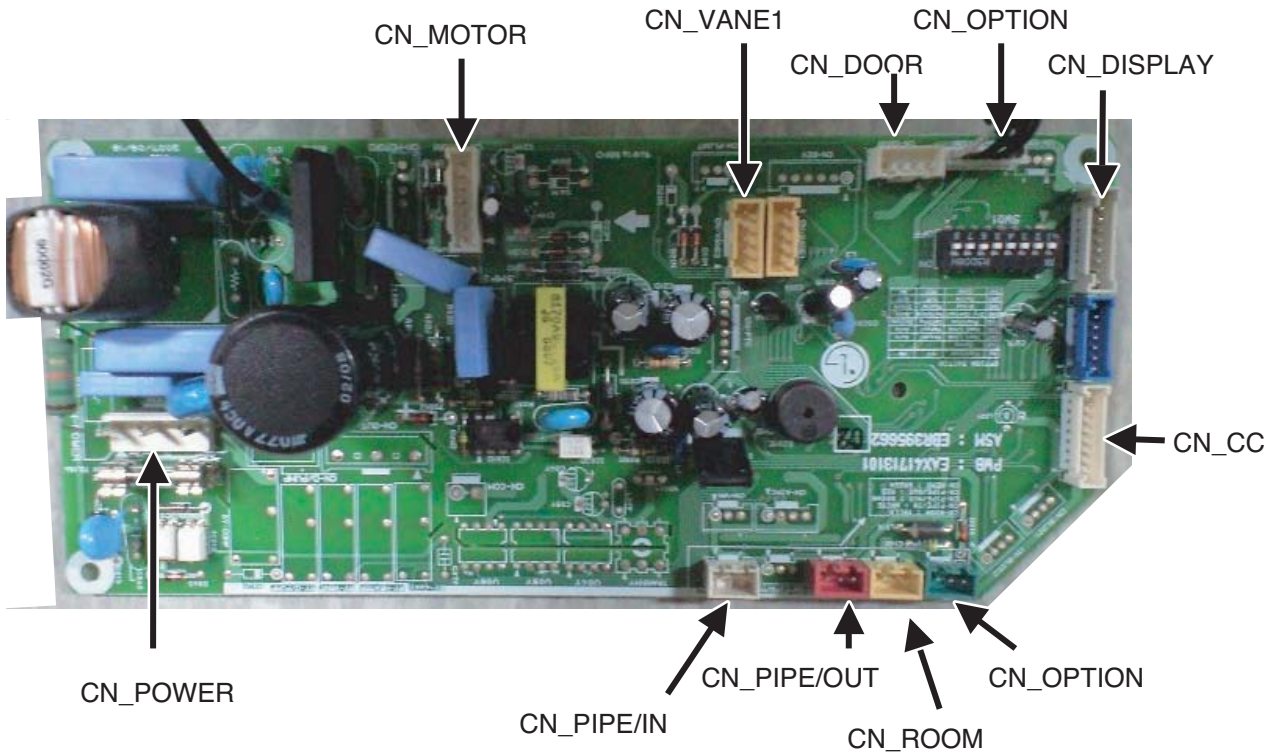
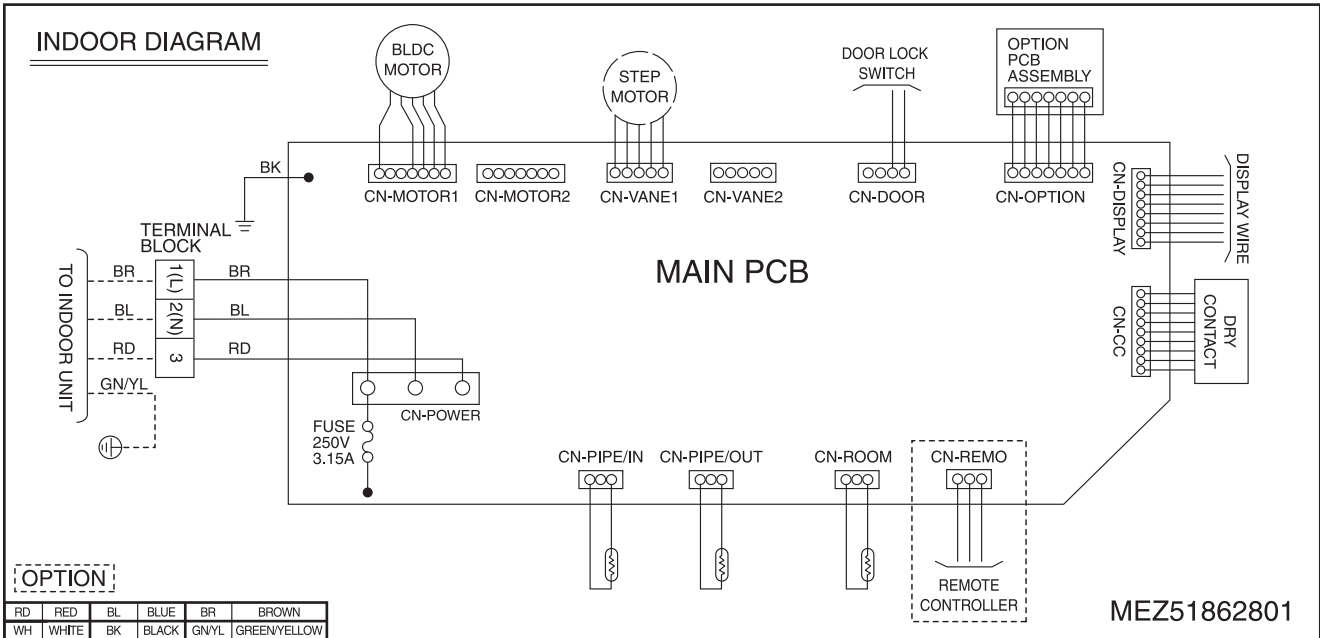
- All data are based on the following conditions:
 - Cooling Temperature : Indoor 27°C(80.6°F) DB / 19°C(66.2°F) WB
Outdoor 35°C(95°F) DB / 24°C(75.2°F) WB
 - Heating Temperature : Indoor 20°C(68°F) DB / 15°C(59°F) WB
Outdoor 7°C(44.6°F) DB / 6°C(42.8°F) WB
 - Piping Length : Interconnected Pipe Length = 7.5m
 - Difference Limit of Elevation (Outdoor ~ Indoor Unit) is Zero.
- Wiring cable size must comply with the applicable local and national code.
- Due to our policy of innovation some specifications may be changed without notification.
- Sound Level Values are measured at Anechoic chamber.
Therefore, these values can be increased(maximum 3dB(A)) owing to ambient conditions during operation.

2. Piping Diagrams

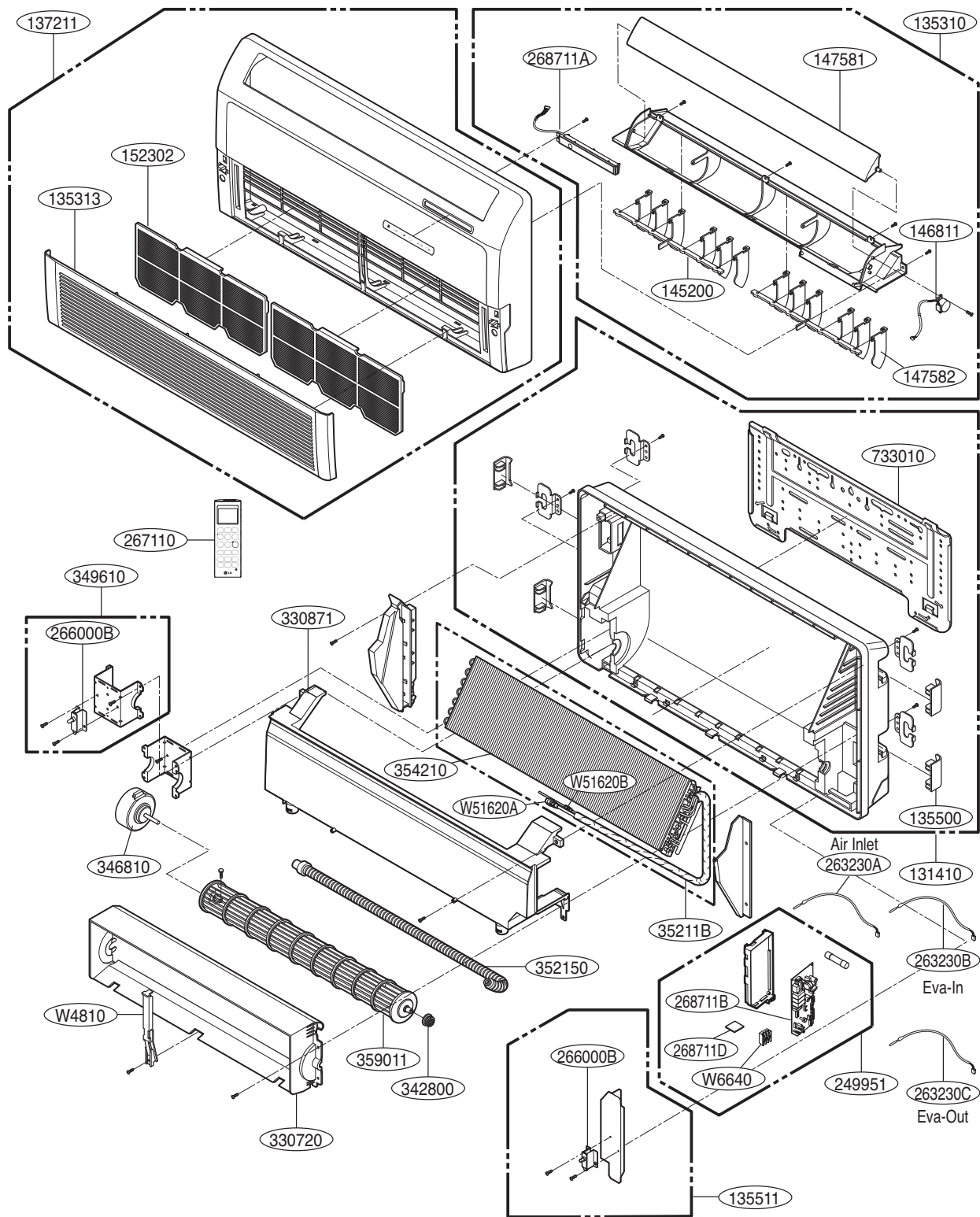


Description	PCB Connector
Inlet Air Temperature Thermistor	CN-ROOM
Evaporator In Temperature Thermistor	CN-PIPE/IN
Evaporator Out Temperature Thermistor	CN-PIPE/OUT

3. Wiring Diagrams



4. Exploded View



Location No.	Description	Sensor Information	Housing Color
263230A	Thermistor1(CN_ROOM)	Air-Inlet	Orange
263230B	Thermistor2(CN_PIPE/IN)	Eva-in	White
263230C	Thermistor3(CN_PIPE/OUT)	Eva-out	Red



P/NO : MFL58838401

FEBRUARY, 2012