



# Air Conditioner

## **SVC MANUAL(Exploded View)**

**Type : Ceiling Concealed Duct**

**MODEL : ABNW18GM1A0  
ABNW24GM1A0  
ABNW30GM1A0**

### **CAUTION**

Before Servicing the unit, read the safety precautions in General SVC manual.  
Only for authorized service personnel.

# 1. Specification

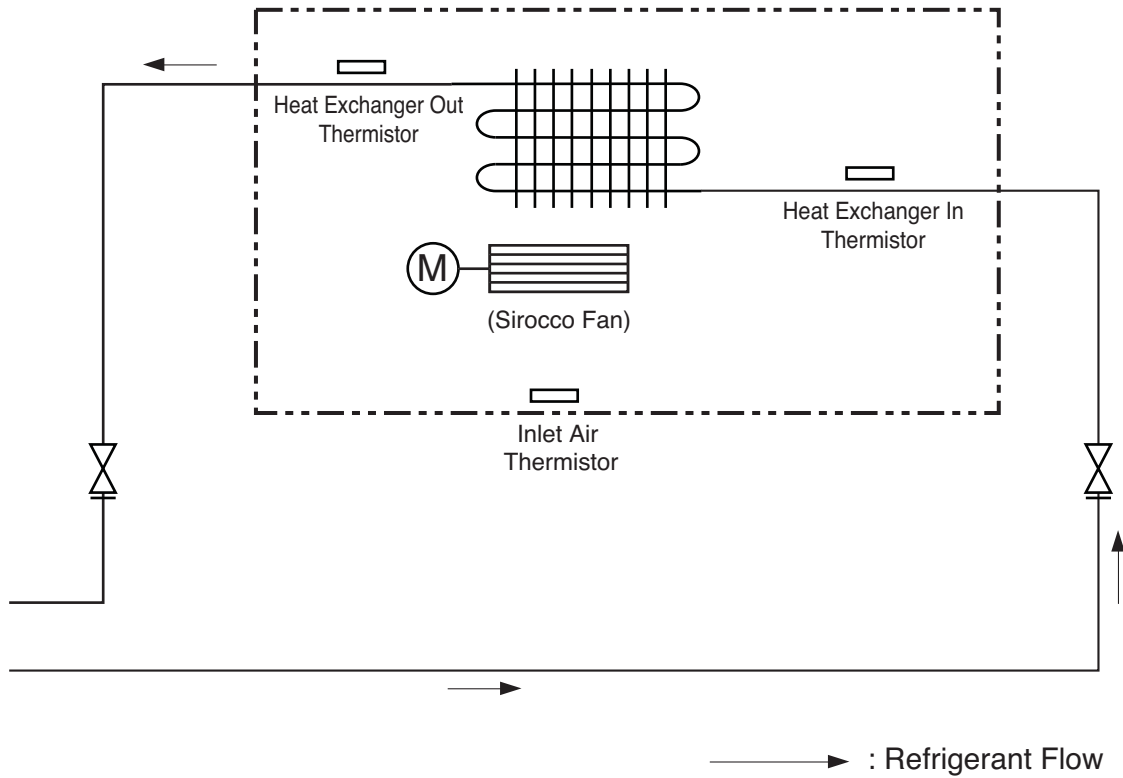
## Indoor

Model Name			ABNW18GM1A0	ABNW24GM1A0	ABNW30GM1A0		
Power Supply			V, Ø, Hz	220-240, 1, 50	220-240, 1, 50	220-240, 1, 50	
Dimensions	Body	W x H x D	mm	900 x 270 x 700	900 x 270 x 700	900 x 270 x 700	
Net Weight	Body		kg	23.8	24.2	25.3	
Heat Exchanger	(Row x Column x Fins per inch) x No.		-	(2 x 13 x 18) x 1	(2 x 13 x 18) x 1	(3 x 13 x 18) x 1	
	Face Area		m <sup>2</sup>	0.21	0.21	0.21	
Fan	Type		-	Sirocco Fan	Sirocco Fan	Sirocco Fan	
	Air Flow Rate	Factory Set	H / M / L	m <sup>3</sup> /min	16.5 / 14.5 / 13.0	18.0 / 16.5 / 14.5	22.0 / 20.0 / 18.0
		External Static Pressure		mmAq(Pa)	6(59)	6(59)	6(59)
Fan Motor	Type		-	BLDC	BLDC	BLDC	
	Power Input		W x No.	165.5x1	165.5x1	165.5 x 1	
	Running Current		A	0.534	0.534	0.534	
	Output		W x No.	136.5 x 1	136.5 x 1	136.5 x 1	
Dehumidification Rate			l / h	0.9	1.6	2.2	
Sound Pressure Level		H / M / L	dB(A)	34.0 / 32.0 / 30.0	35.0 / 34.0 / 32.0	37.0 / 35.0 / 34.0	
Sound Power Level		Max.	dB(A)	59	60	62	
Piping Connections	Liquid		mm	Ø 6.35	Ø 9.52	Ø 9.52	
	Gas		mm	Ø 12.7	Ø 15.88	Ø 15.88	
	Drain (O.D. / I.D.)		mm	Ø 32.0 / 25.0	Ø 32.0 / 25.0	Ø 32.0 / 25.0	
Safety Devices			-	Fuse	Fuse	Fuse	
			-	Thermal Protector For Fan Motor			
Power and Communication Cable (included Earth)			No. x mm <sup>2</sup> (AWG)	4C x 0.75 (18)	4C x 0.75 (18)	4C x 0.75 (18)	

### Notes:

- All data are based on the following conditions:
  - Cooling Temperature : Indoor 27°C(80.6°F) DB / 19°C(66.2°F) WB  
Outdoor 35°C(95°F) DB / 24°C(75.2°F) WB
  - Piping Length : Interconnected Pipe Length = 7.5m
  - Difference Limit of Elevation (Outdoor ~ Indoor Unit) is Zero.
- Wiring cable size must comply with the applicable local and national code.
- Due to our policy of innovation some specifications may be changed without notification.
- Sound Level Values are measured at Anechoic chamber.  
Therefore, these values can be increased(maximum 3dB(A)) owing to ambient conditions during operation.

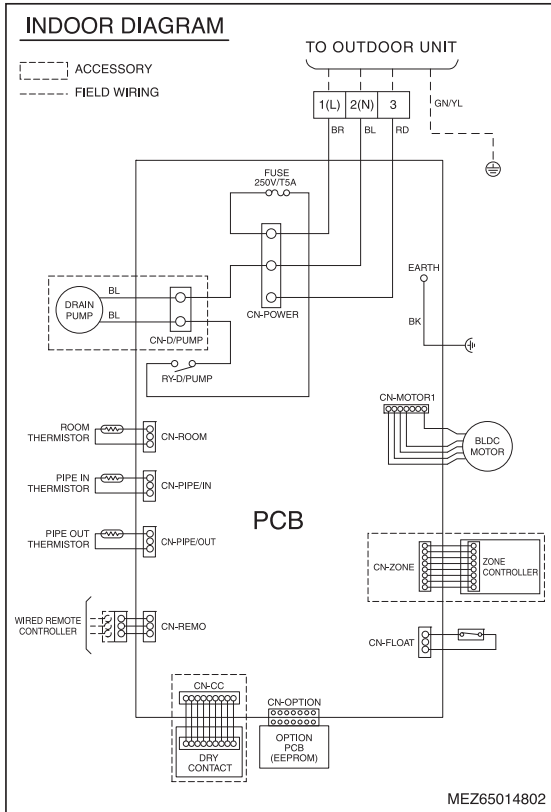
## 2. Piping Diagrams



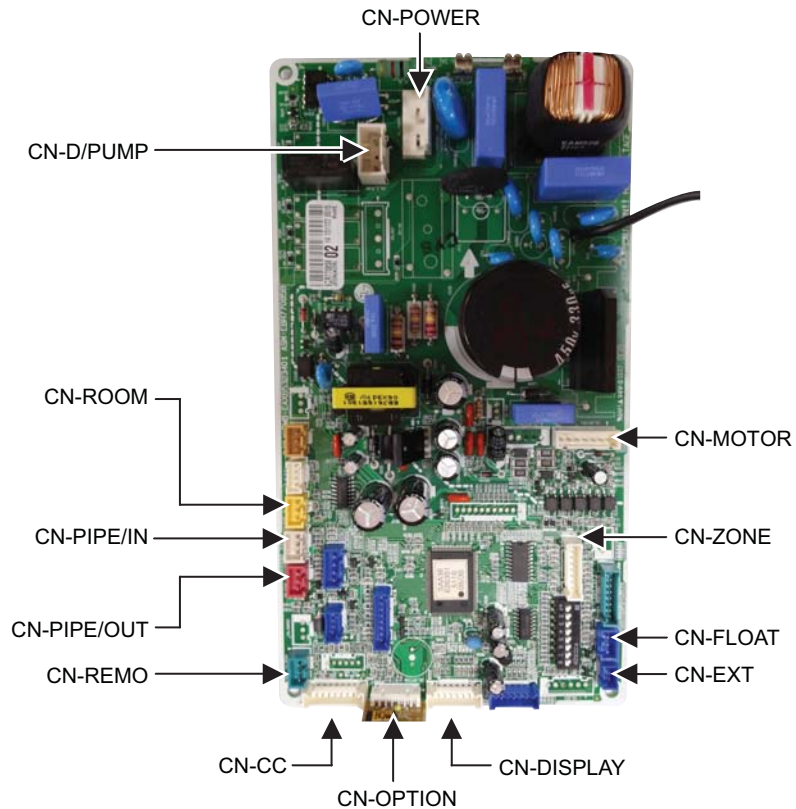
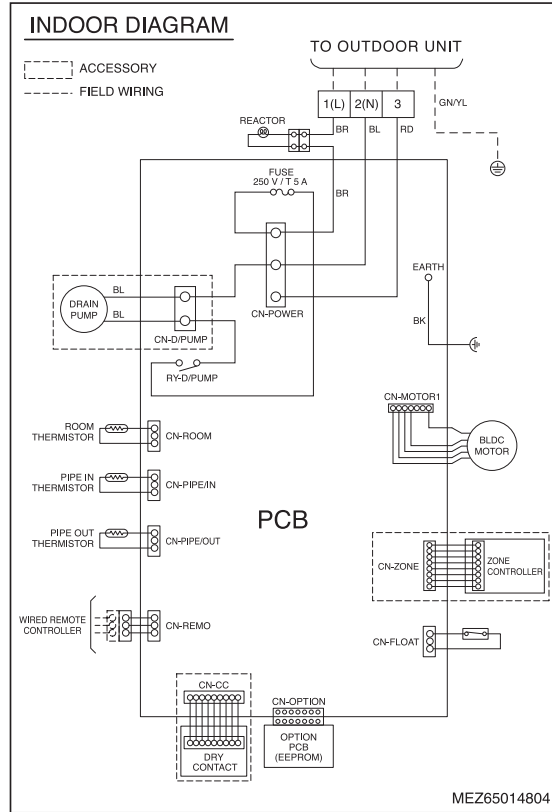
Description	PCB Connector
Inlet Air Thermistor	CN-ROOM
Heat Exchanger In Thermistor	CN-PIPE/IN
Heat Exchanger Out Thermistor	CN-PIPE/OUT

# 3. Wiring Diagrams

**ABNW18GM1A0**

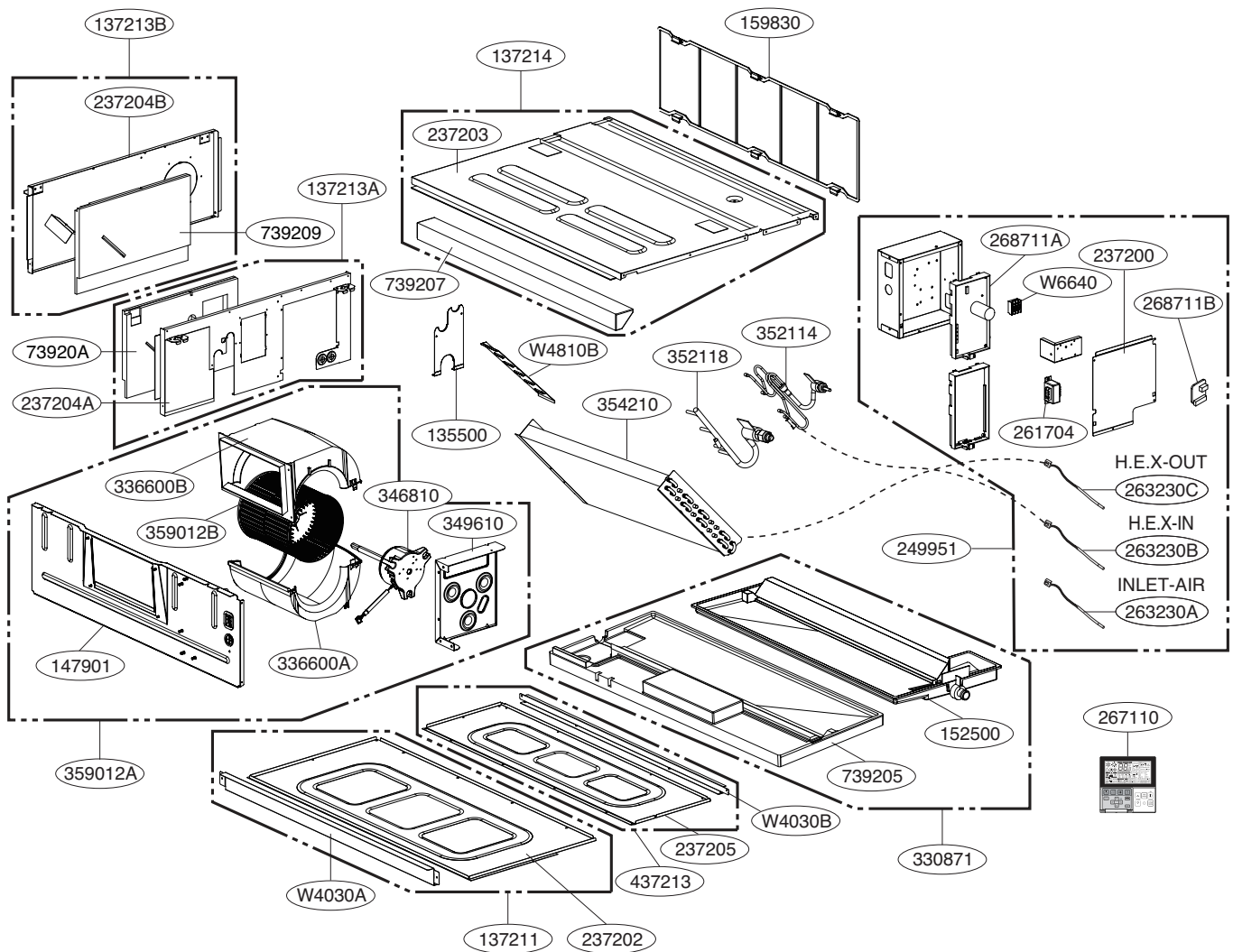


**ABNW24GM1A0/ABNW30GM1A0**



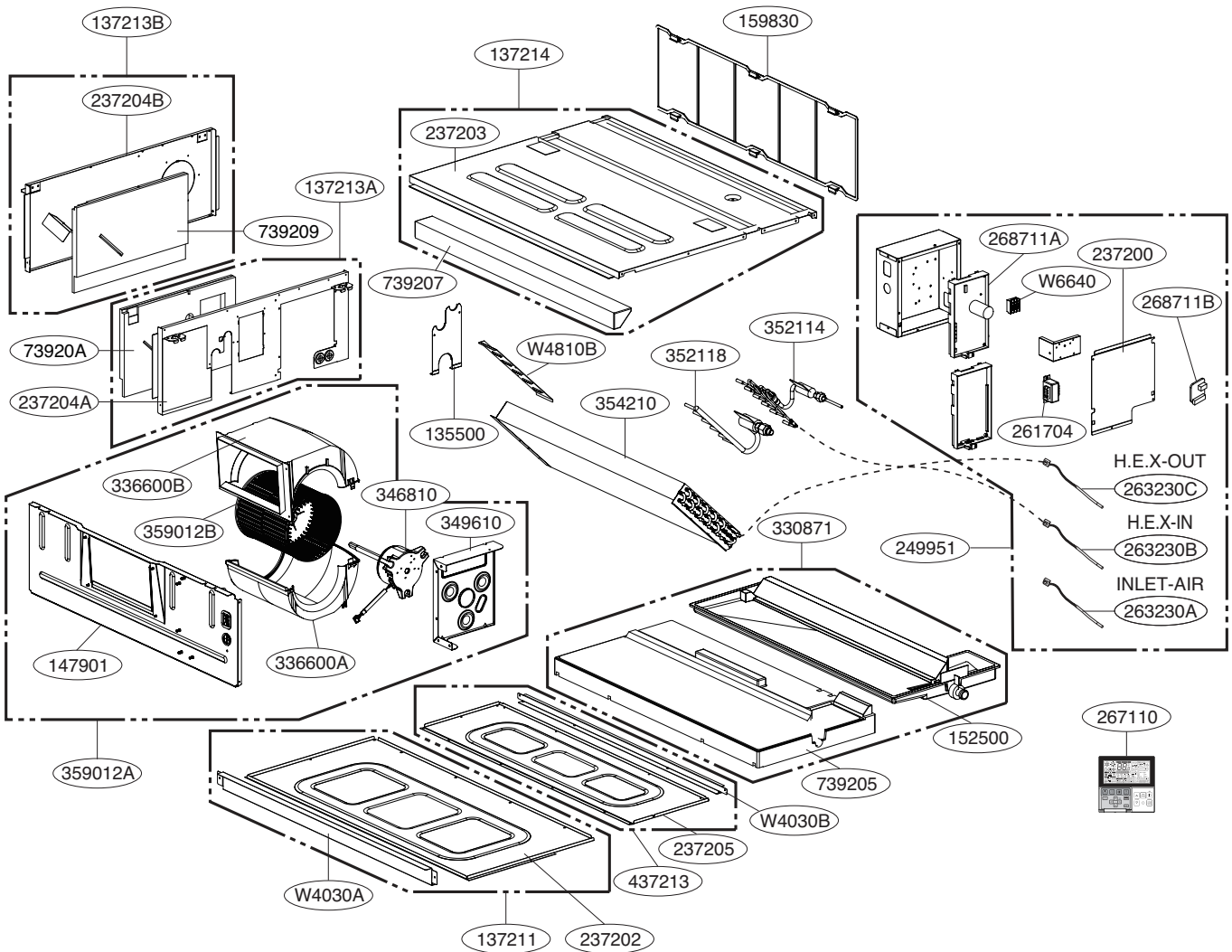
## 4. Exploded View

18.24k



Location No.	Description	Sensor Information	Housing Color
263230A	Thermistor1(CN_ROOM)	Air-Inlet	Yellow
263230B	Thermistor2(CN_PIPE/IN)	Heat Exchanger In	White
263230C	Thermistor3(CN_PIPE/OUT)	Heat Exchanger Out	Red

30k



Location No.	Description	Sensor Information	Housing Color
263230A	Thermistor1(CN_ROOM)	Air-Inlet	Yellow
263230B	Thermistor2(CN_PIPE/IN)	Heat Exchanger In	White
263230C	Thermistor3(CN_PIPE/OUT)	Heat Exchanger Out	Red



P/NO : MFL68021708

February,2014