



Internal Use Only

<http://biz.lgservice.com>

# AHU EEV KIT

## SVC MANUAL(Exploded View)

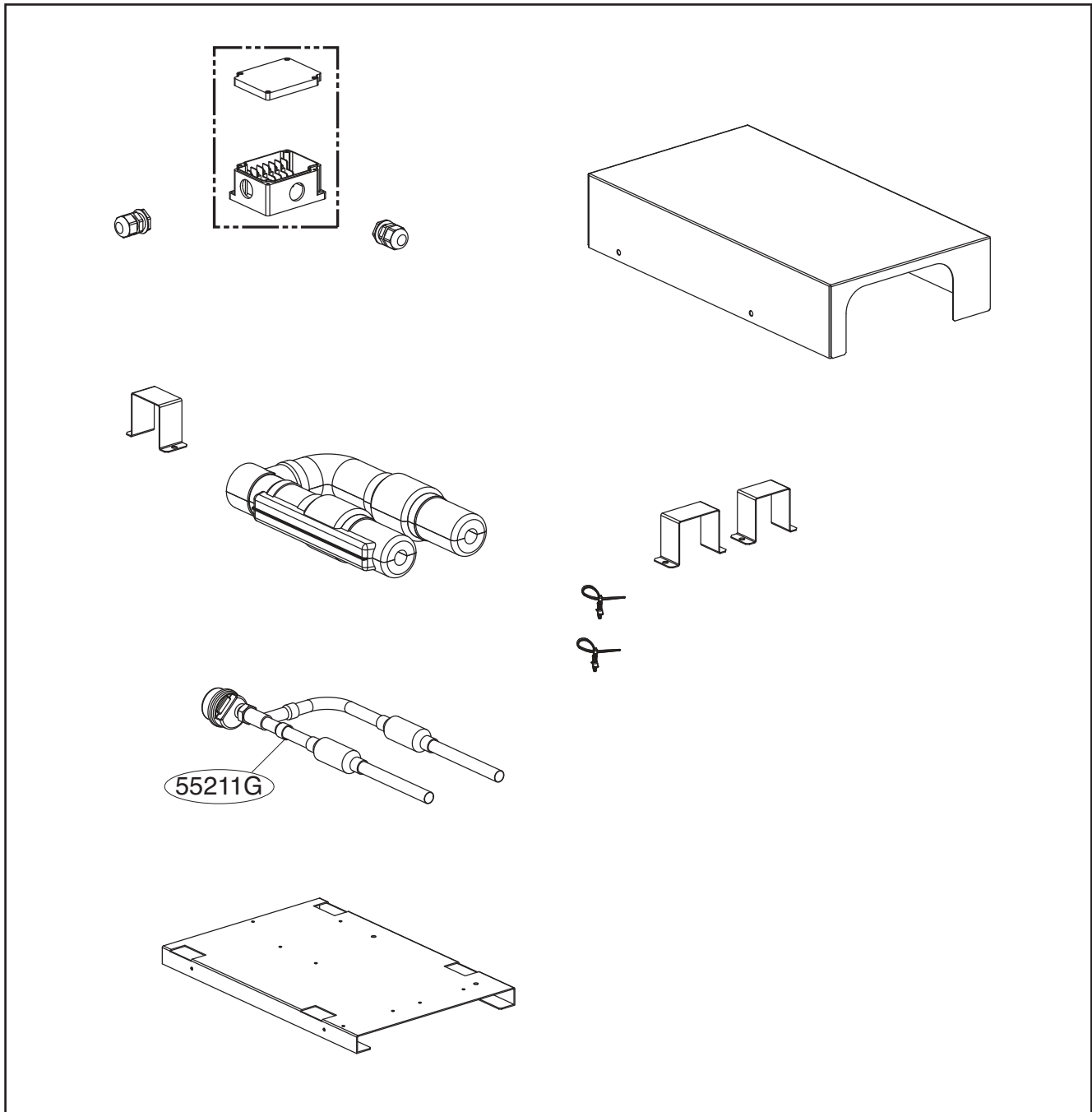
MODEL : PRLK048A0  
PRLK096A0

### CAUTION

Before Servicing the unit, read the safety precautions in General SVC manual.  
Only for authorized service personnel.

# Exploded View and Replacement Parts List

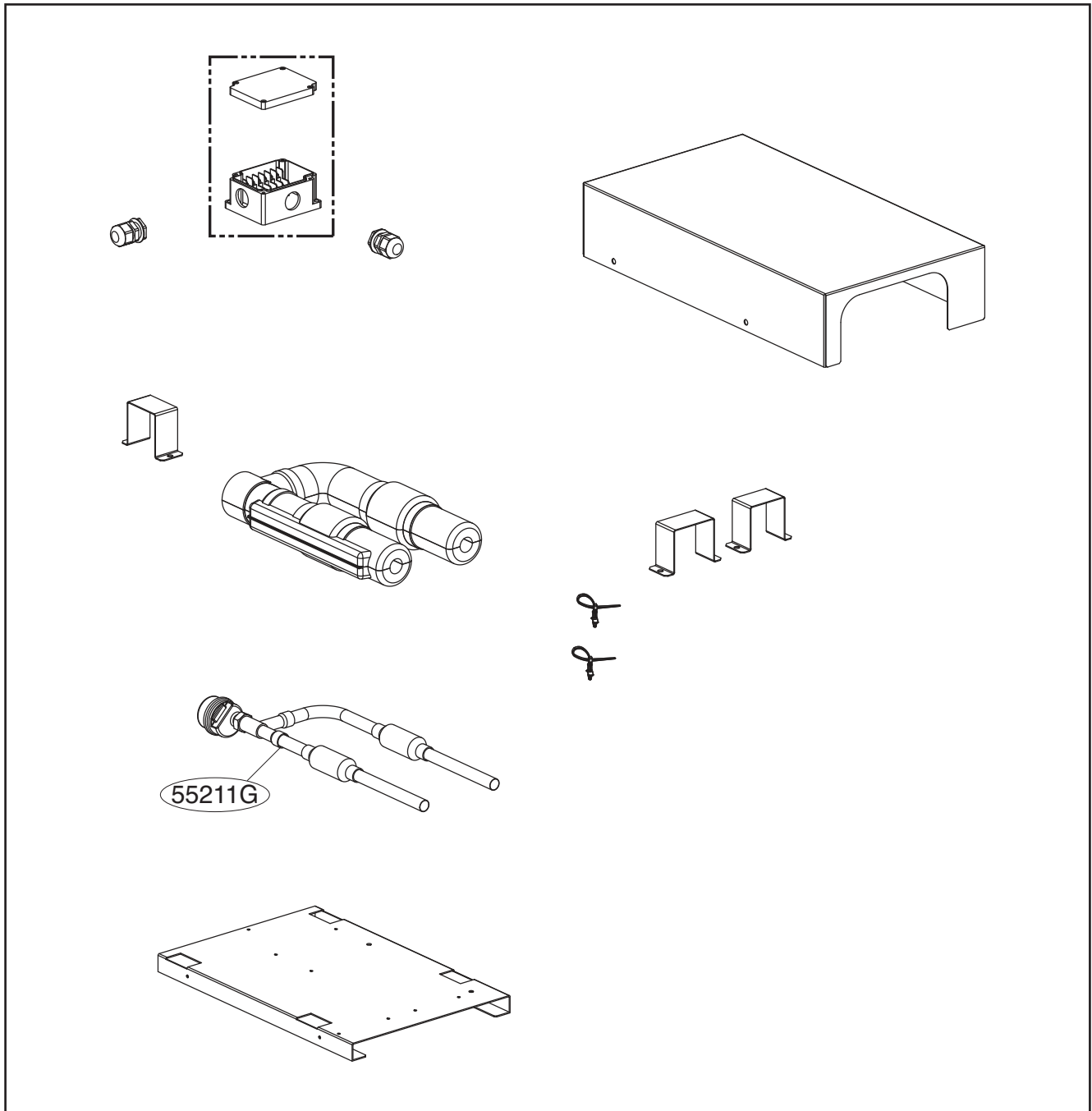
Model : PRLK048A0



LOCATION NO.	DESCRIPTION	PART NO.	QTY
55211G	Tube Assembly, Expansion	AJR55715601	1

# Exploded View and Replacement Parts List

Model : PRLK096A0



LOCATION NO.	DESCRIPTION	PART NO.	QTY
55211G	Tube Assembly, Expansion	AJR55715602	1



P/NO : MFL67103106

JULY, 2012